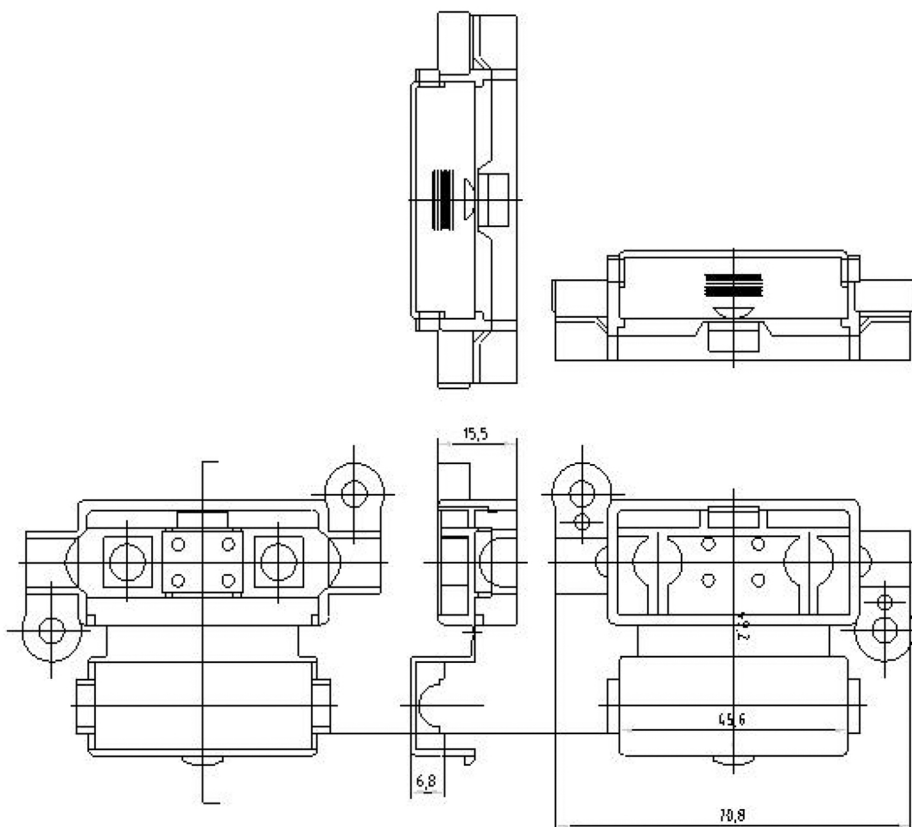


Specifications

Rating:	125A 32VDC
Fuse Size:	Midi
Wire Size:	16mm ² Max
Body Material:	PA66
Contact Material:	Zinc Plated Steel



Description	Ref Code
Midi / Strip Fuse Holder	482293