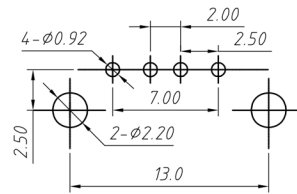
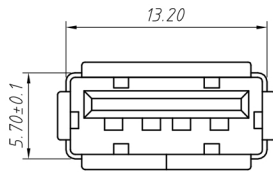
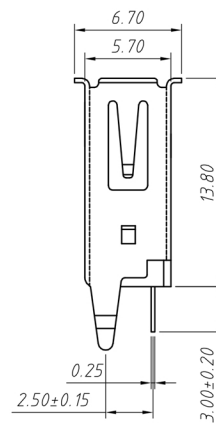
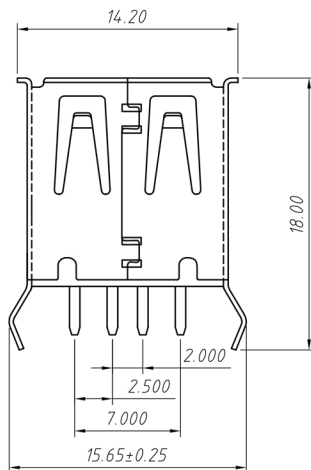


Specifications

Contact Resistance:	30mΩ Max
Insulation Resistance:	1000MΩ Min 500V DC
Withstand Voltage:	500VAC 1 minute
Housing Material:	PBT UL94V-0
Contact Material:	Copper Alloy C2680
Operating Temperature:	-25°C to +85°C



RECOMMENDED PCB LAYOUT



Description	Ref Code
USB Type A Vertical Socket	482275