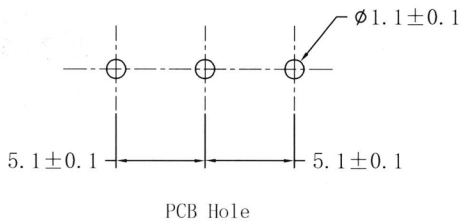
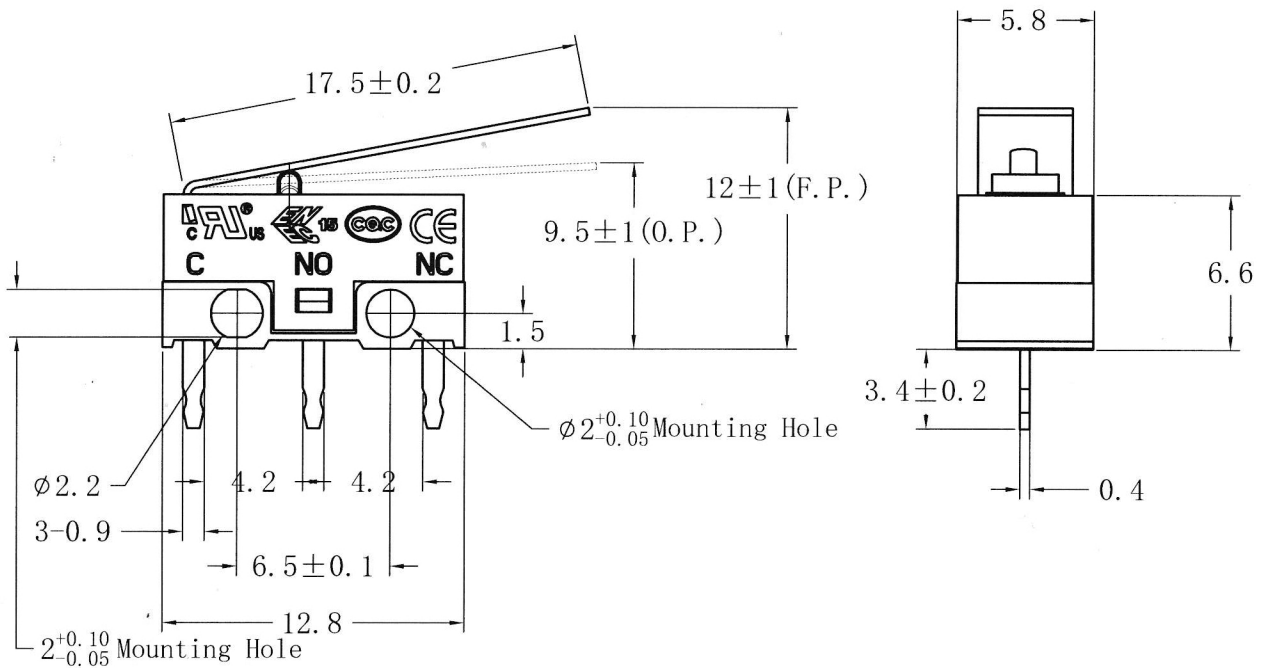


Specifications

Rating:	3A 250VAC
Contact Resistance:	50mΩ Max
Operating Force:	100gf



Description	Ref Code
17mm Lever Subminiature PCB Microswitch SPDT 3A	482274