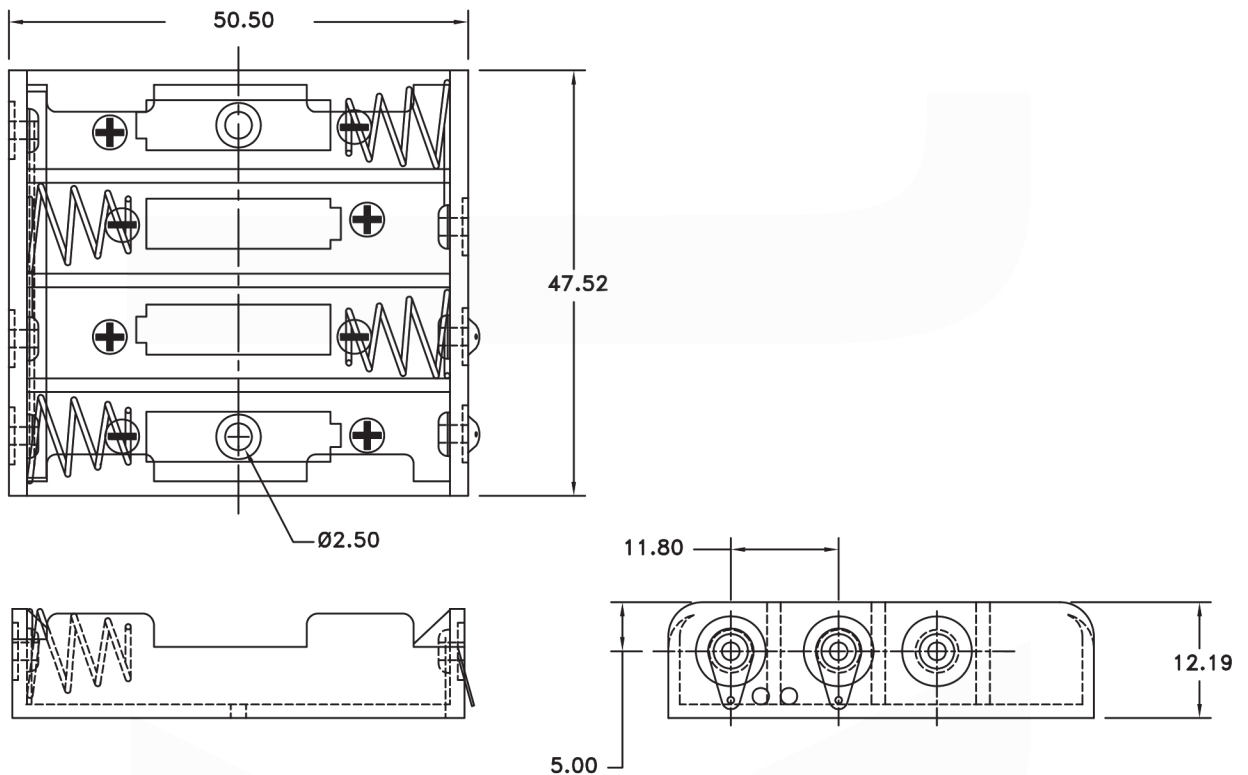


## Specifications

Housing Material: ABS  
Contact Material: Nickel Plated Steel  
Operating Temperature: -10°C to +80°C

:



Description	Ref Code
AAA x 4 Battery Holder Solder Terminals	482268