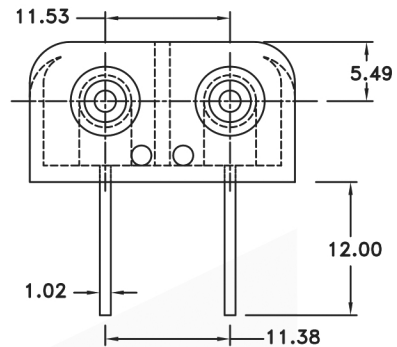
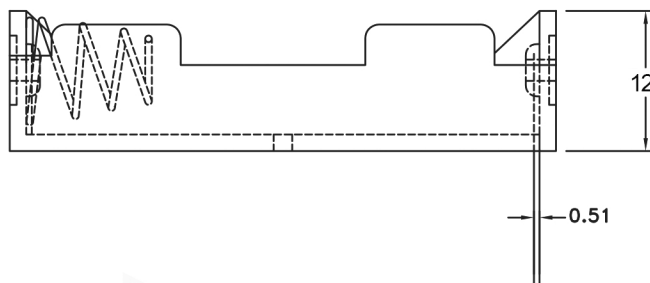
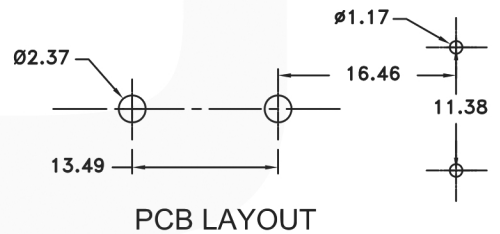
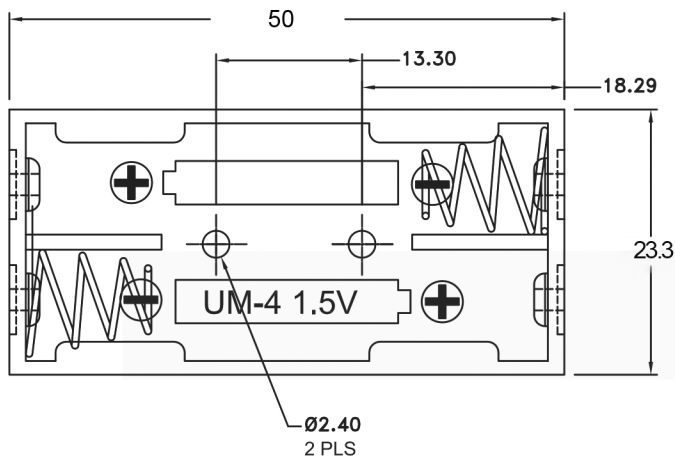


Specifications

Housing Material: ABS
 Contact Material: Nickel Plated Steel
 Operating Temperature: -10°C to +80°C

:



Description	Ref Code
AAA x 2 Battery Holder PCB Mount	482267