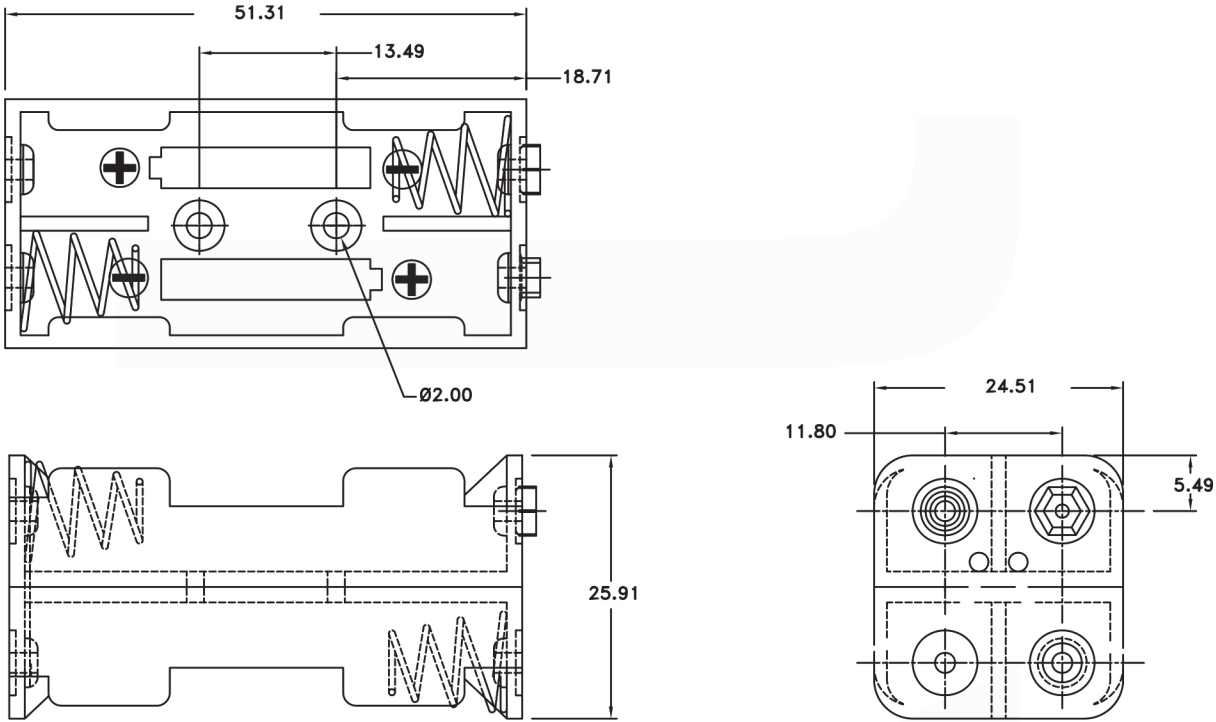


Specifications

Housing Material: ABS
 Contact Material: Nickel Plated Steel
 Operating Temperature: -10°C to +80°C
 :



Description	Ref Code
AAA x 4 (2+2) Battery Holder Press Stud Connections	482264