

Specifications

Rating: 6A 250VAC, 10A 125VAC

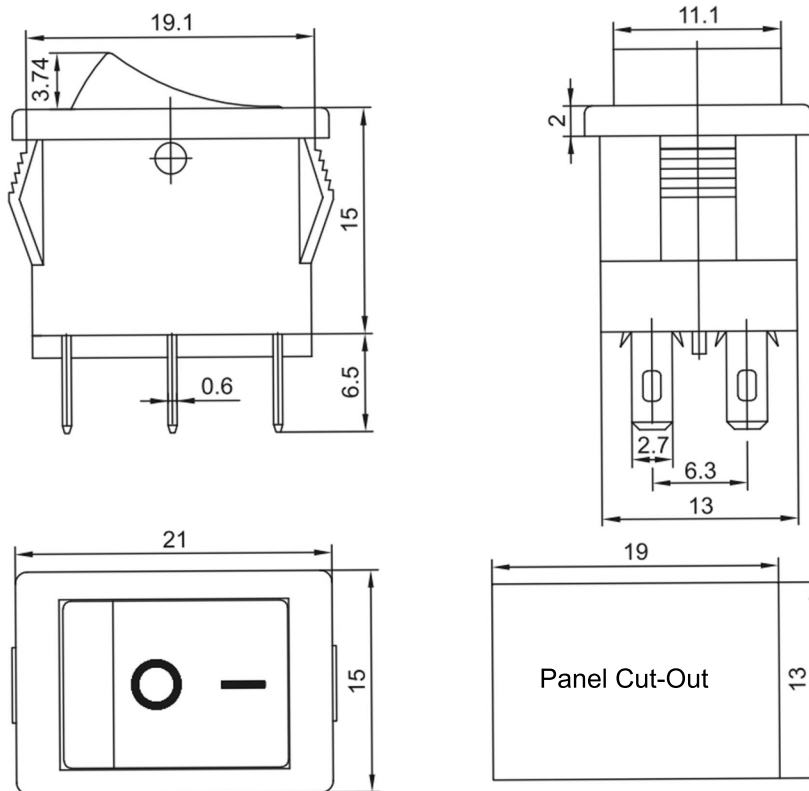
Contact Resistance: 50mΩ Max

Insulation Resistance: 100MΩ Min

Dielectric Strength: 1000VAC 1 minute

Operating Temperature: -25°C to +85°C

Electrical Life: 10,000+ Cycles



Description	Ref Code
On-On Rectangle Rocker Switch DPDT	482247