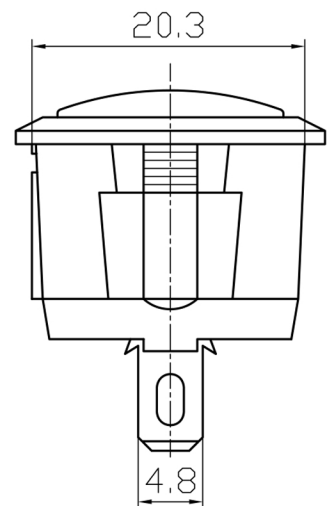
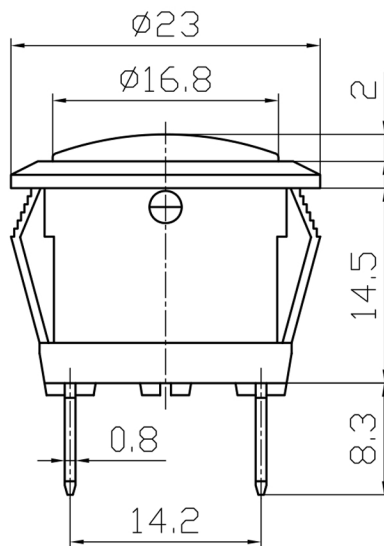
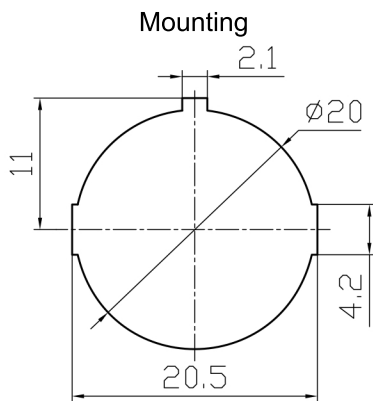
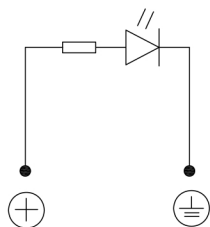


## Specifications

Rating:	12VDC
Insulation Resistance:	100MΩ Min
Dielectric Strength:	500VAC 1 minute
Operating Temperature:	-20°C to +85°C



Circuitry



Description	Ref Code
Red 12VDC Panel Indicator Light 20mm	482228