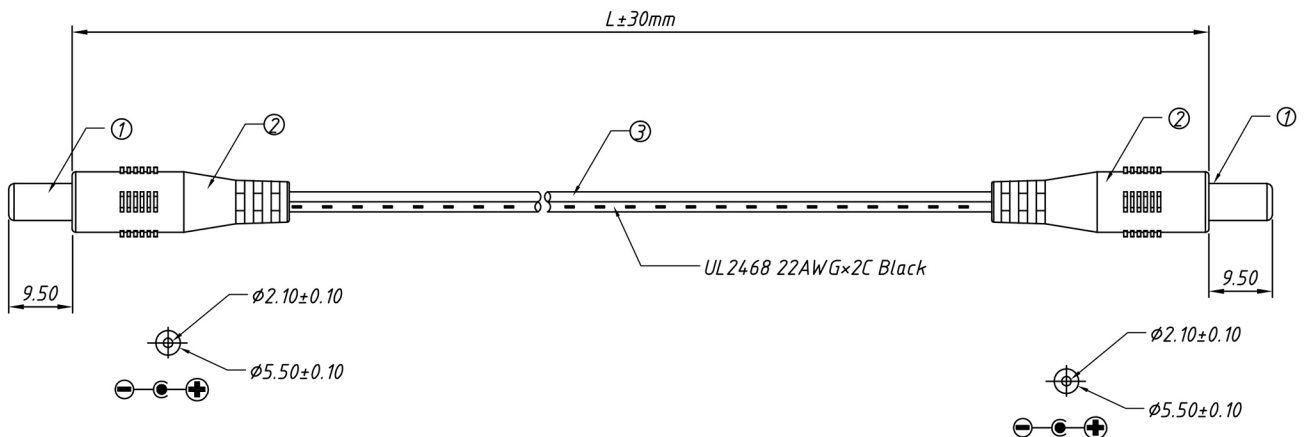


Specifications

Current Rating:	3A
Cable:	UL2468 22AWG
Connector Size:	2.1mm x 5.5mm



Description	Ref Code
50cm Male to Male Plug 2.1mm x 5.5mm Extension Lead DC Connector	482174