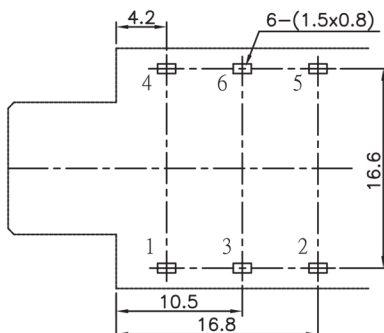
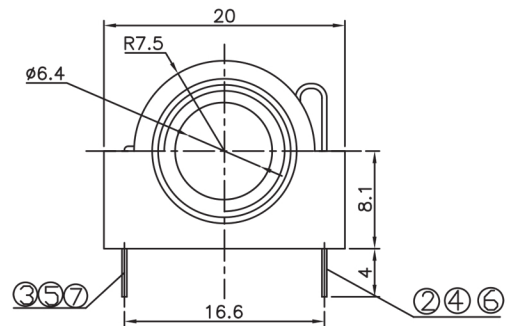
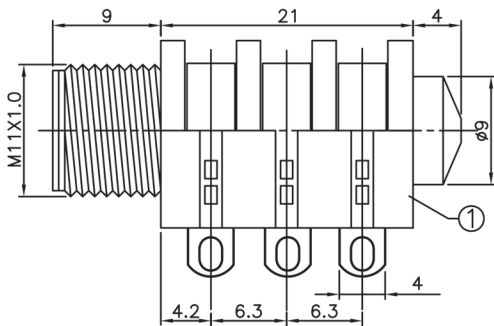
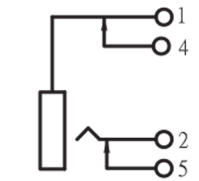


Specifications

Contact Rating:	0.5A 30VDC
Contact Resistance:	30mΩ Max
Insulation Resistance:	100MΩ Min 500V DC
Withstand Voltage:	500VAC 1 minute
Housing Material:	PC
Contact Material:	Brass
Operating Temperature:	-30°C to +70°C



T:1.6 Dimensions of PC board holes
 Tolerance : ±0.1(Printed-top view)



Description	Ref Code
6.35mm 2 Pole Mono Jack Socket	482048