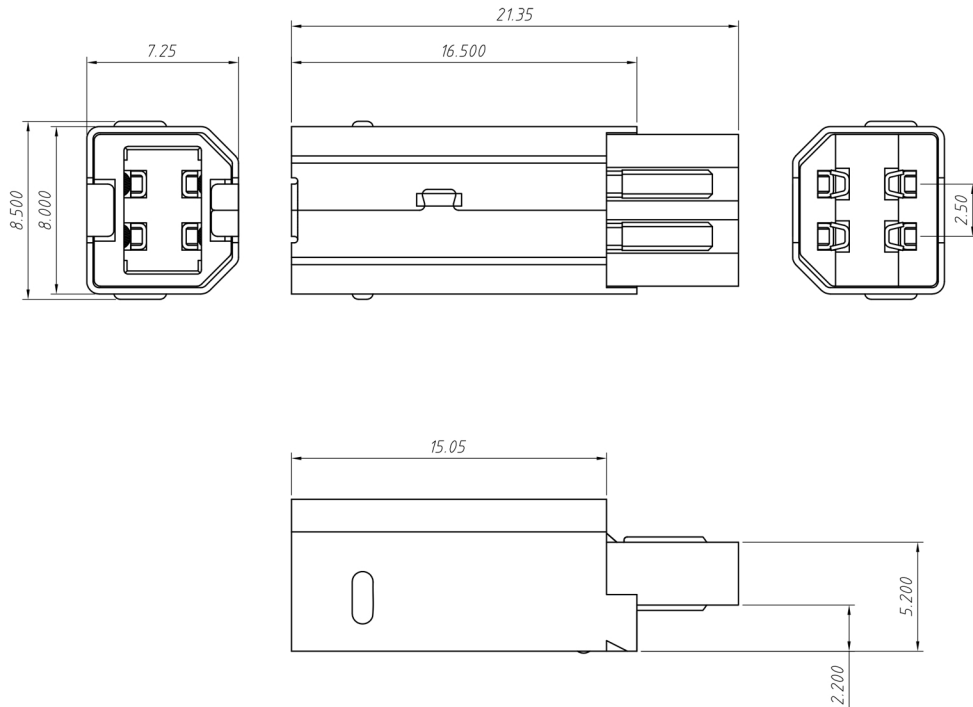


## Specifications

Contact Resistance:	50mΩ Max
Insulation Resistance:	1000MΩ Min 500V DC
Withstand Voltage:	500VAC 1 minute
Housing Material:	Thermoplastic
Shell Material:	Nickel Plated Copper Alloy
Contact Material:	Gold Plated Copper Alloy
Operating Temperature:	-55°C to +105°C



Description	Ref Code
USB Type B Solder Plug Connector	482042