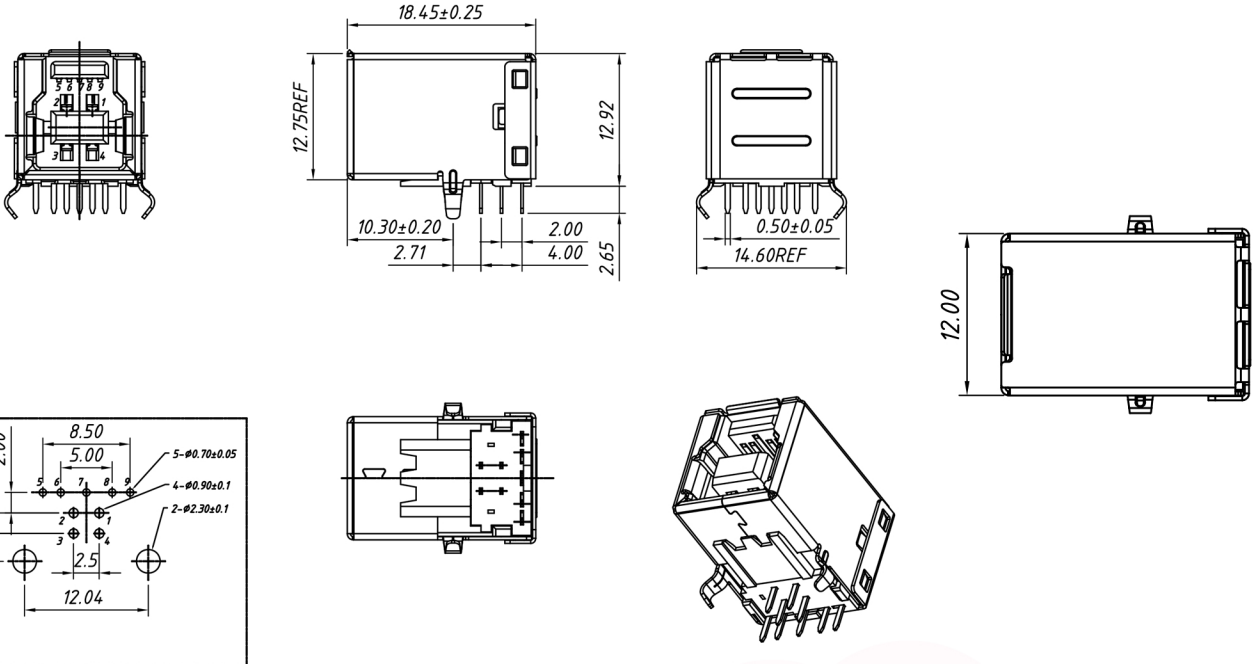


## Specifications

Contact Resistance:	50mΩ Max
Insulation Resistance:	1000MΩ Min 500V DC
Withstand Voltage:	100VAC 1 minute
Housing Material:	Thermoplastic
Shell Material:	Nickel Plated Brass
Contact Material:	Gold Plated Copper
Operating Temperature:	-40°C to +85°C



P.C.B LAYOUT

Description	Ref Code
USB Type B 3.0 Right Angle Socket PCB	482037