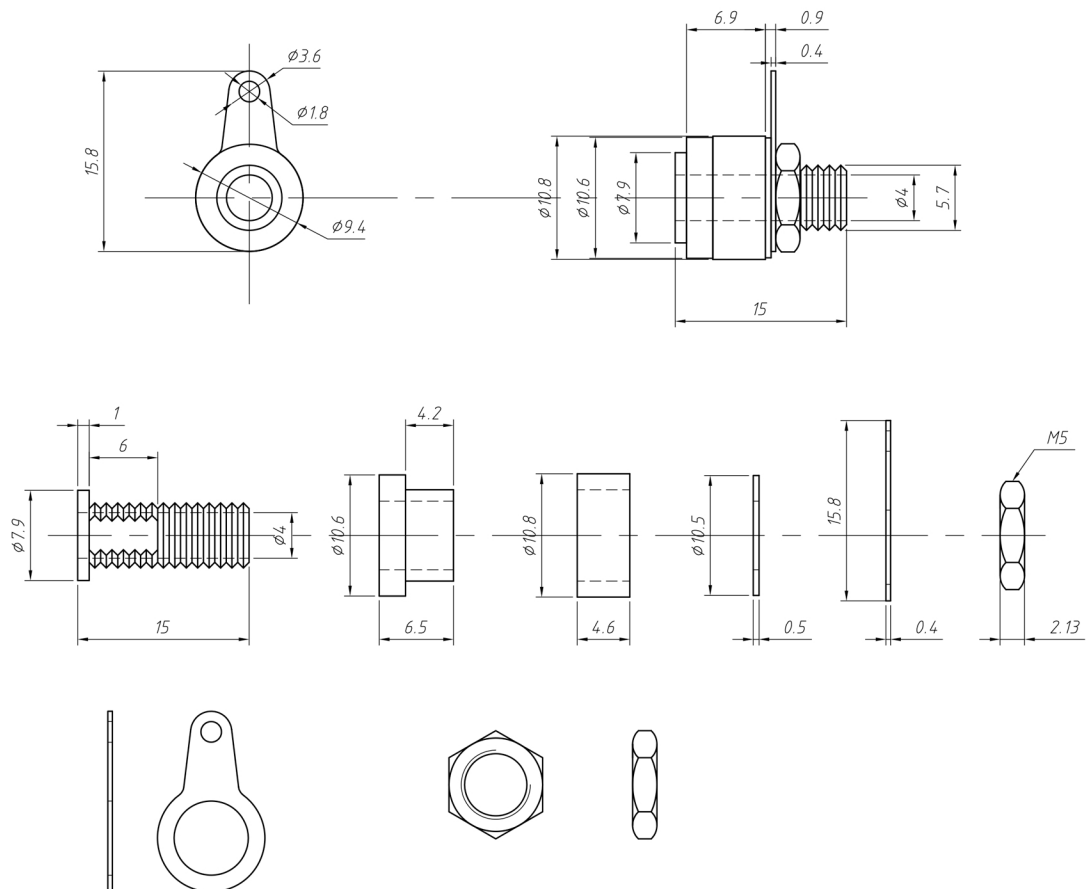


Specifications

Rated Current: 6A
 Panel Cut-Out: 8mm
 Housing Material: ABS
 Contact Material: Nickel Plated



Description	Ref Code
Blue 4mm Insulated Test Socket	481884