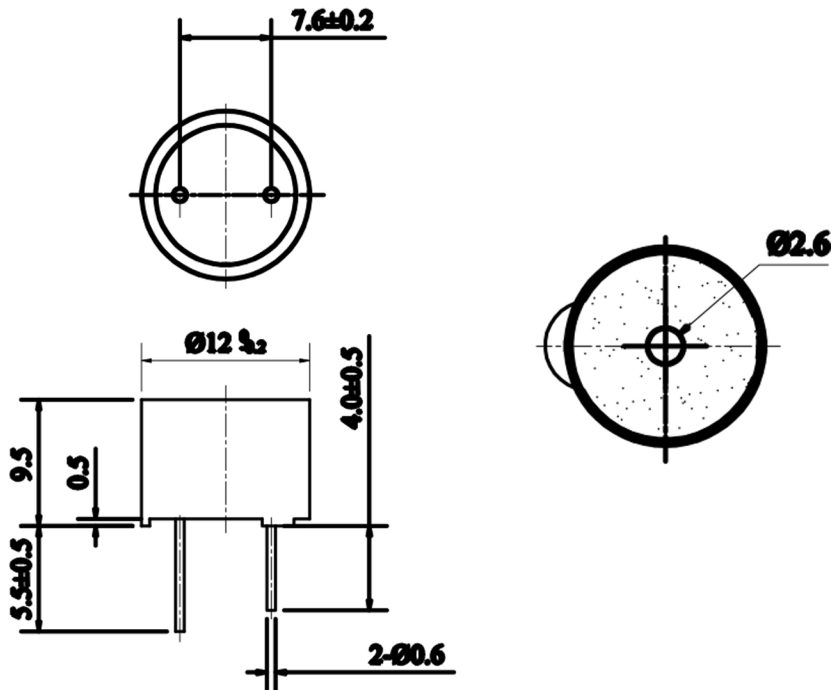


Specifications

Rated Voltage:	5VDC
Operating Voltage	3-8VDC
Max Rated Current:	30mA
Resonant Frequency:	2300Hz
Sound Output:	85dB @ 10cm
Operating Temperature:	-20°C to +85°C



Description	Ref Code
5V Subminiature Electromagnetic PCB Buzzer	481857