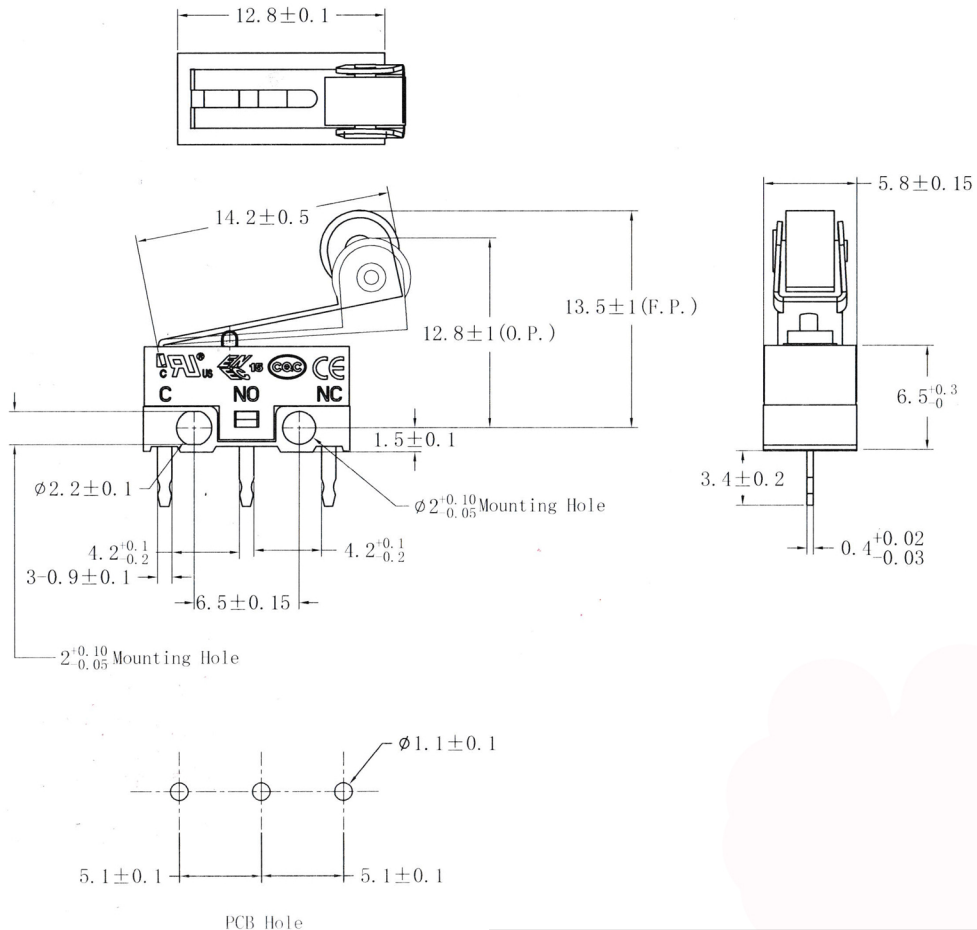


Specifications

Rating: 3A 250VAC
 Operating Force: 30gf
 Contact Resistance: 50mΩ Max



Description	Ref Code
Roller Lever Subminiature PCB Microswitch SPDT 3A	481694