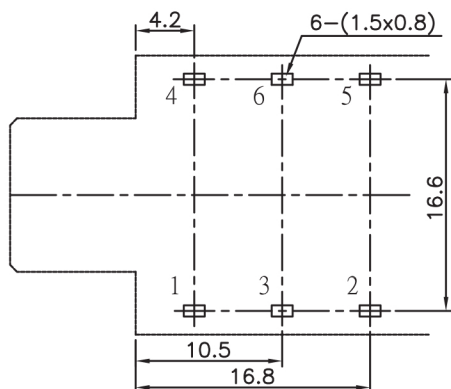
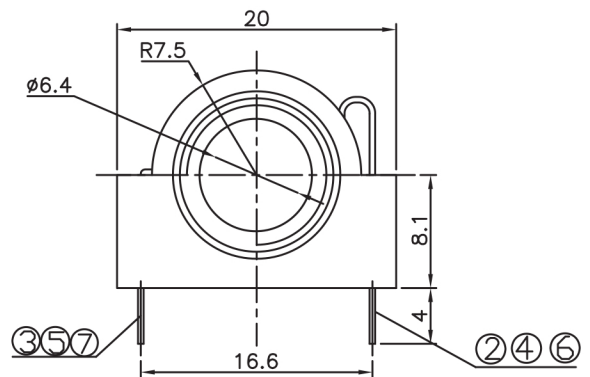
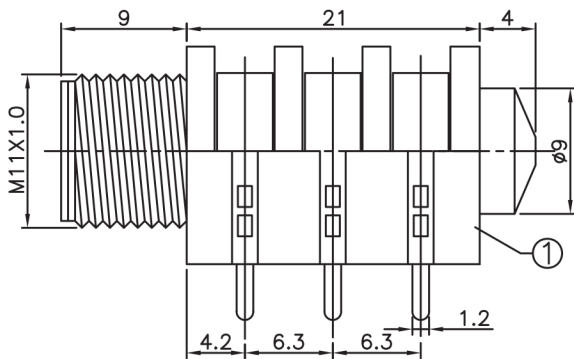
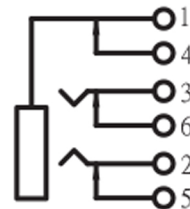


Specifications

| | |
|------------------------|-------------------|
| Rating: | 0.5A 30VDC |
| Contact Resistance: | 30mΩ Max |
| Insulation Resistance: | 100MΩ Min 500V DC |
| Withstand Voltage: | 500VAC 1 minute |
| Housing Material: | PC |
| Contact Material: | Phosphor Bronze |
| Operating Temperature: | -30°C to +70°C |



T:1.6 Dimensions of PC board holes
Tolerance : ±0.1(Printed-top view)



| Description | Ref Code |
|--|----------|
| 6.35mm PCB Mounting Stereo Jack Socket | 481667 |