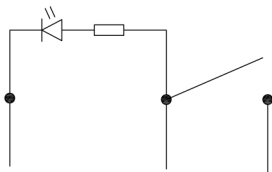
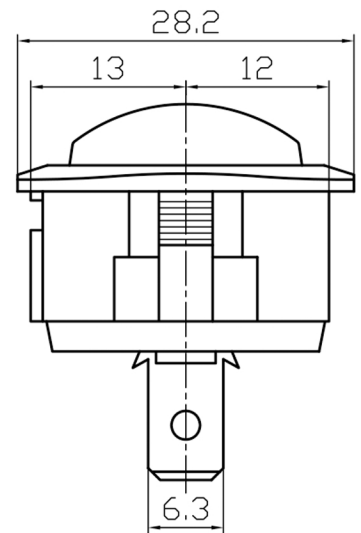
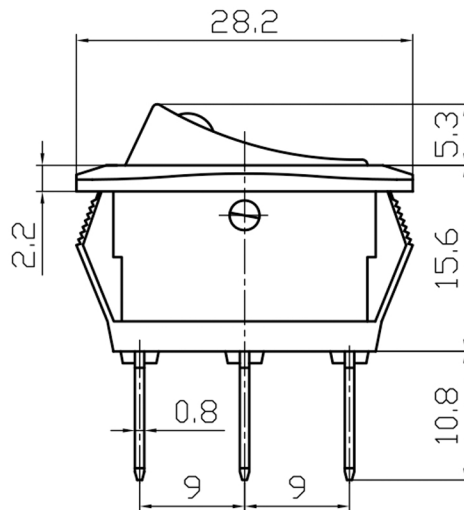
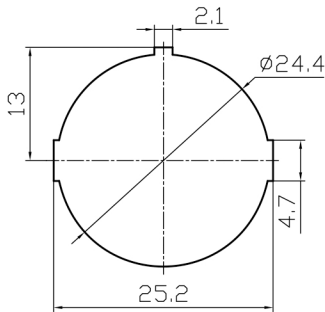


Specifications

| | |
|------------------------|------------------|
| Rating : | 25A 12VDC |
| Contact Resistance: | 50mΩ Max |
| Insulation Resistance: | 100MΩ Min |
| Dielectric Strength: | 1500VAC 1 minute |
| Temperature Rating: | -25°C to 85°C |
| Electrical Life: | 10,000+ Cycles |



| Description | Ref Code |
|--|----------|
| Blue Dot illuminated Circular Rocker Switch SPST 12V | 481657 |