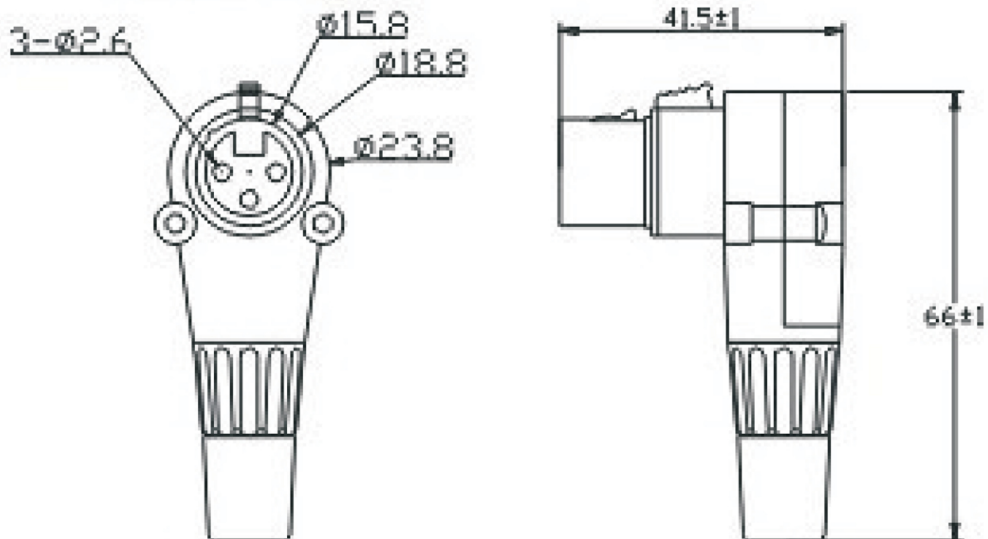


## Specifications

Rating:	16A
Contact Resistance:	30mΩ Max
Insulation Resistance:	2000MΩ Min
Withstand Voltage:	1500VAC 1 minute
Cable Outer Diameter:	4.0-8.0mm
Operating Temperature:	-30°C to +80°C



Description	Ref Code
Right Angle Female XLR Socket 3 Pole Audio Connector	481434