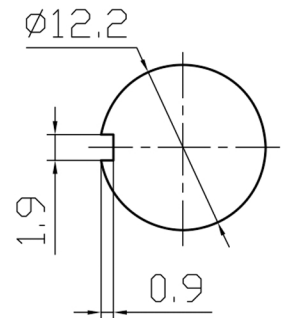
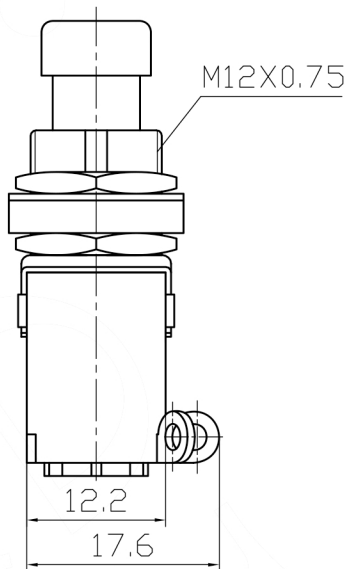
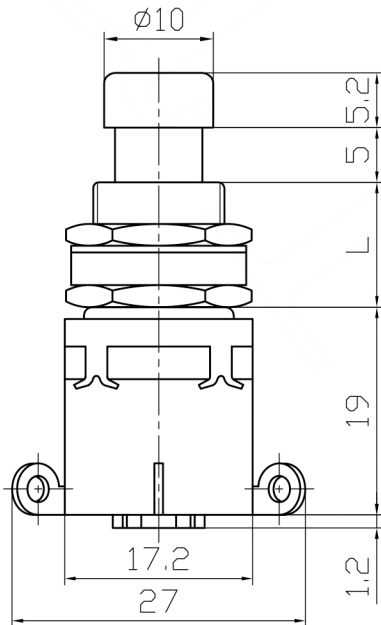


Specifications

Rating:	4A 125VAC, 2A 250VAC
Contact Resistance:	20mΩ Max
Insulation Resistance:	100MΩ Min
Dielectric Strength:	1000VAC 1 minute
Operating Temperature:	-25°C to +85°C
Electrical Life:	10,000+ Cycles



Description	Ref Code
Latching On-On Foot Switch SPDT Side Mount Terminals	480895