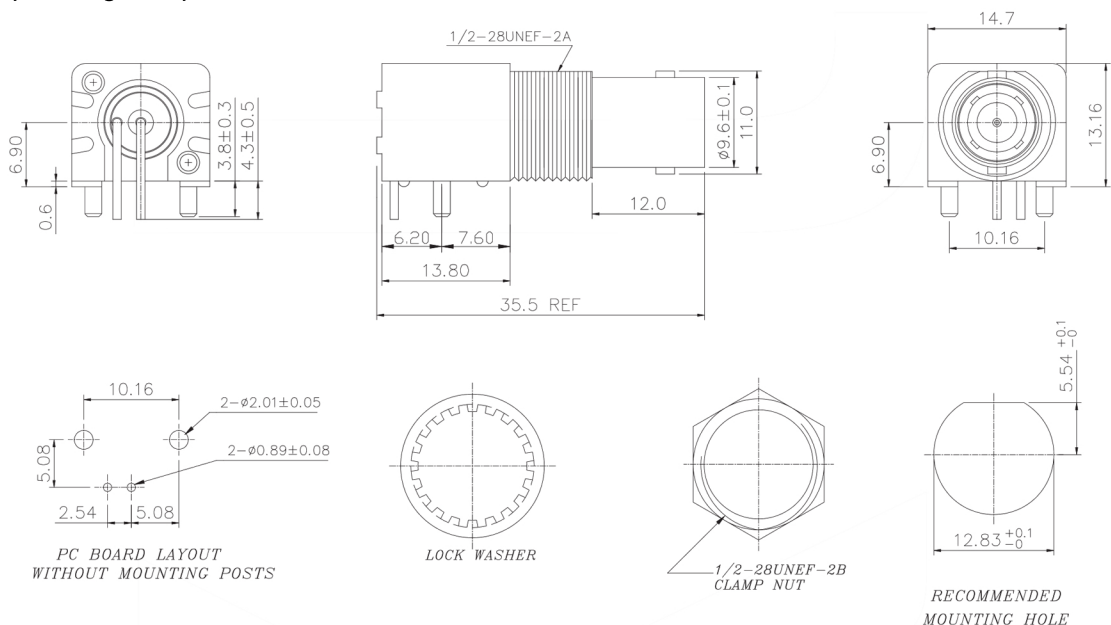


## Specifications

Impedance:	50Ω
Frequency Range:	0-4GHz
Voltage Rating:	500V
Body Material:	TFE
Contact Material:	Silver Plated Copper
Contacting Resistance:	Center Contact 1.5mΩ, Outer Contact: 0.2mΩ
Insulation Resistance:	5000MΩ Min
Dielectric Withstand Voltage:	1500Vrms
Operating Temperature:	-65°C to +165°C



Description	Ref Code
BNC Insulated Right Angle PCB Socket	480804