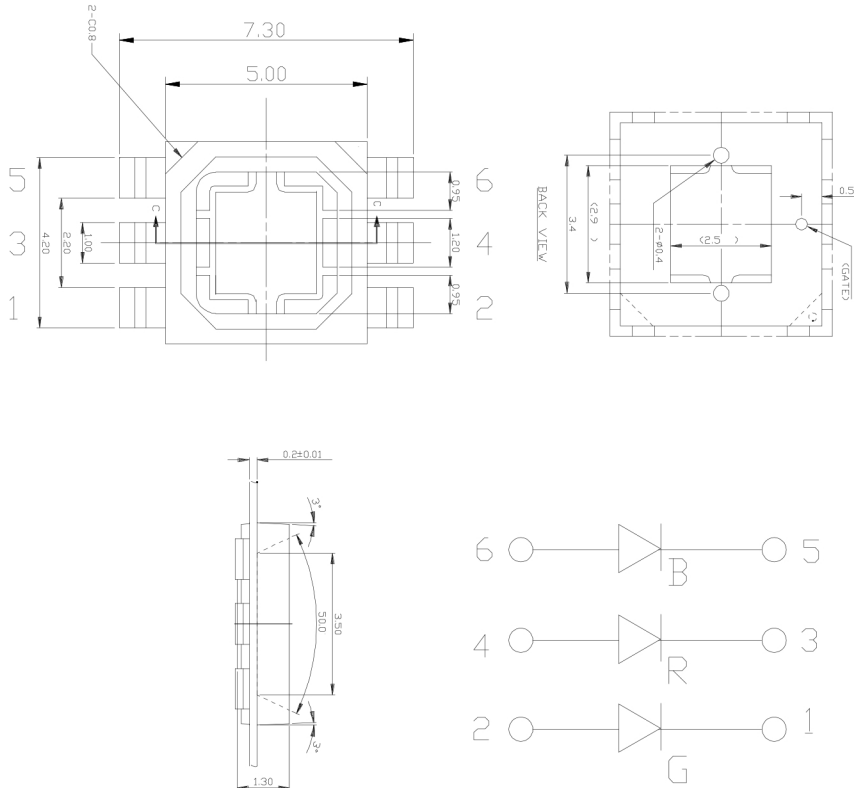


Features:

- ◆ High intensity
- ◆ Surface Mount Package
- ◆ Red&Green&Blue 3in1
- ◆ Reliable and rugged

Package Dimensions:



Part No.	Chip Material	Lens Color	Source Color
TL-HPSRGB3-2	InGaN& AlGaN	Water Clear	RGB

Notes:

1. All dimensions are in millimeters (inches).
2. Tolerance is $\pm 0.25\text{mm}$ (.010") unless otherwise noted.
3. Protruded resin under flange is 1.0mm (.04") max.
4. Lead spacing is measured where the leads emerge from the package.
5. Specifications are subject to change without notice.
6. Precautions for **ESD**:

STATIC SHIELD Electricity and surge damages the **LED**. It is recommended to use a wrist band or anti-electrostatic glove when handling the **LED**. All devices, equipment and machinery must be properly grounded.

7. This data-sheet only valid for six months.

Absolute Maximum Ratings at Ta=25°C

Parameter	MAX.	Unit
Power Dissipation	2500	mW
Peak Forward Current (1/10 Duty Cycle,0.1ms Pulse Width)	400	mA
Continuous Forward Current	300	mA
Junction temperature	115	°C/W
Reverse Voltage	5	V
Operating Temperature Range	-40°C to +80°C	
Storage Temperature Range	-40°C to +80°C	
Lead Soldering Temperature [4mm(.157")From Body	260°C for 5 Seconds	

Electrical Optical Characteristics at Ta=25°C

Parameter	Symbol	Min.	Typ.	Max	Unit	Test Condition
luminous flux	ϕ	R40 G60 B15	--	R50 G80 B20	lm	I _f =300mA(Note 1)
Viewing Angle	$2\theta_{1/2}$		120		Deg	(Note 2)
Peak Emission Wavelength	λ_p	R620 G520 B465		R625 G525 B470	nm	I _f =300mA
Color Temperature	TC	--	--	--	K	I _f =300mA(Note 3)
Forward Voltage	V _f	R:2.0 G.B:3.0		R:2.4 G.B:3.2	V	I _f =300mA
Reverse Current	I _R	---	---	10	μ A	V _R =5V

Notes:

1. Luminous intensity is measured with a light sensor and filter combination that approximates the CIE eye-response curve.
2. $\theta_{1/2}$ is the off-axis angle at which the luminous intensity is half the axial luminous intensity.
3. The dominant wavelength(λ_d) is derived from the CIE chromaticity diagram and represents the single wavelength which defines the color of the device.