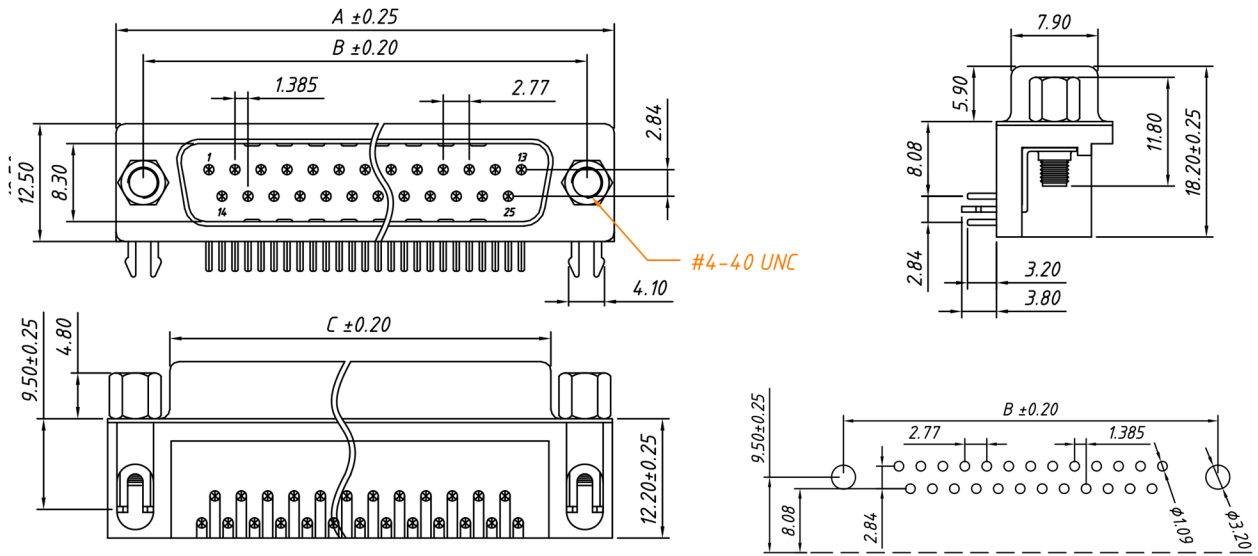


## Specifications

Contact Resistance:	20mΩ Max
Insulation Resistance:	1000MΩ Min
Dielectric Strength:	500VAC 1 minute
Housing Material:	PBT + 30% Glass Filled, UL94V-0
Shell Material:	Nickel Plated Steel
Contact Material:	Gold Plated Brass
Operating Temperature:	-55°C to +105°C



RECOMMENDED PCB LAYOUT  
TOLERANCE: ±0.05mm

Number of Contacts	DIMENSION		
	A±0.25	B±0.20	C±0.20
09	30.80	24.99	16.30
15	39.20	33.30	24.60
25	53.10	47.04	38.30
37	69.34	63.50	54.80

Description	Ref Code
25-Way Right Angle PCB Male D Plug Connector	480191