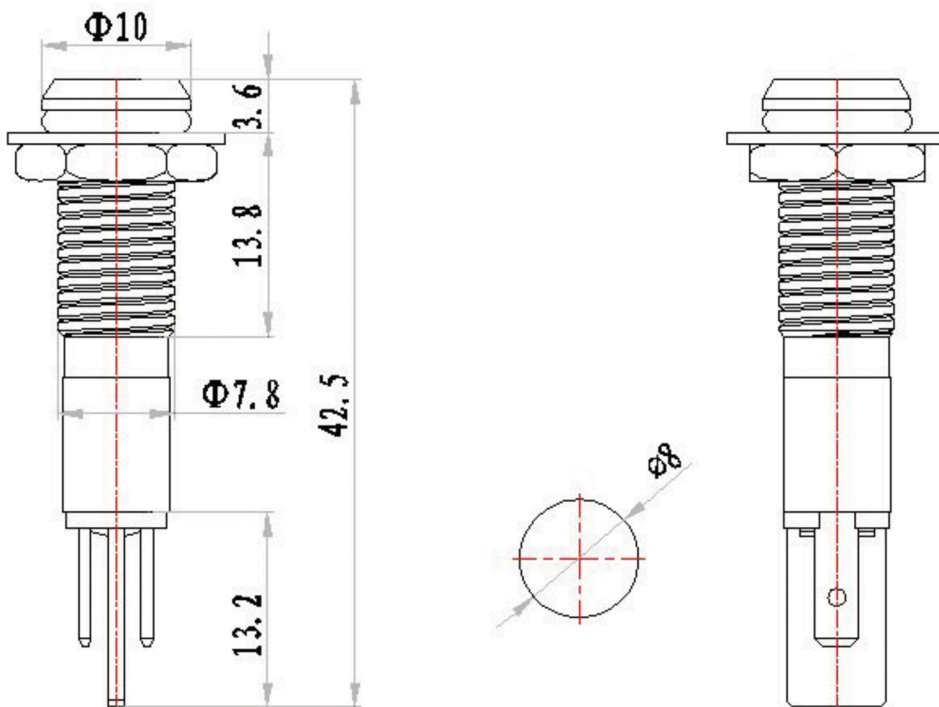


Specifications

| | |
|------------------------|----------------|
| Forward Voltage: | 12VDC |
| Forward Current: | 25mA |
| Reverse Voltage: | 5V |
| Power Dissipation: | 0.3W |
| Life Expectancy: | 100,000 Hours |
| Operating Temperature: | -25°C to +85°C |



| Description | Ref Code |
|---|----------|
| Blue LED 8mm Flat Metal Panel Indicator 12V | 480127 |