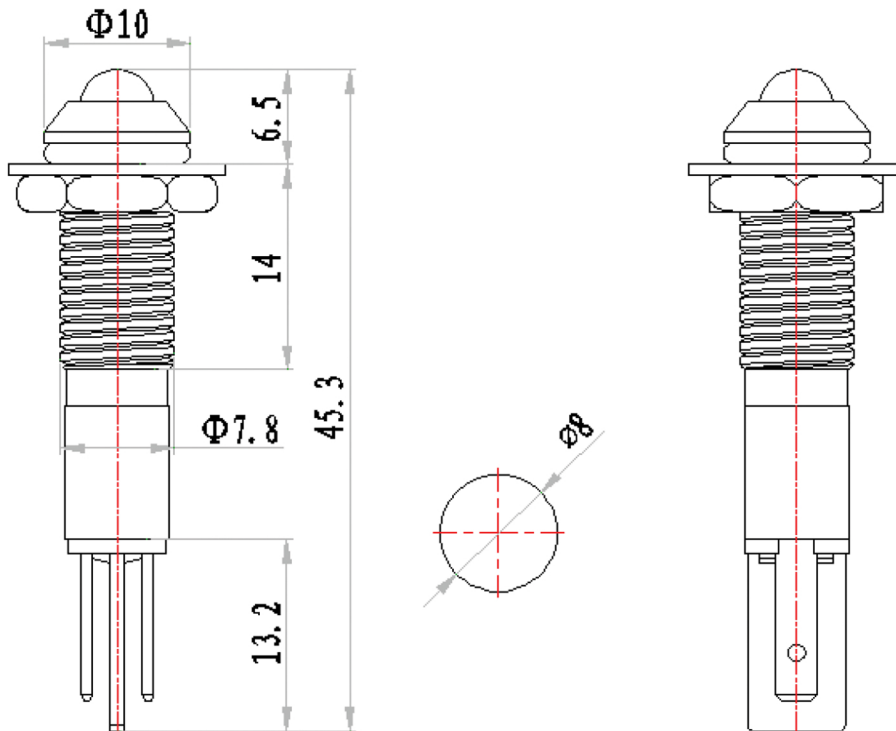


Specifications

Forward Voltage:	12VDC
Forward Current:	25mA
Reverse Voltage:	5V
Power Dissipation:	0.3W
Life Expectancy:	100,000 Hours
Operating Temperature:	-25°C to +85°C



Description	Ref Code
Green LED 8mm Metal Panel Indicator 12V	480121