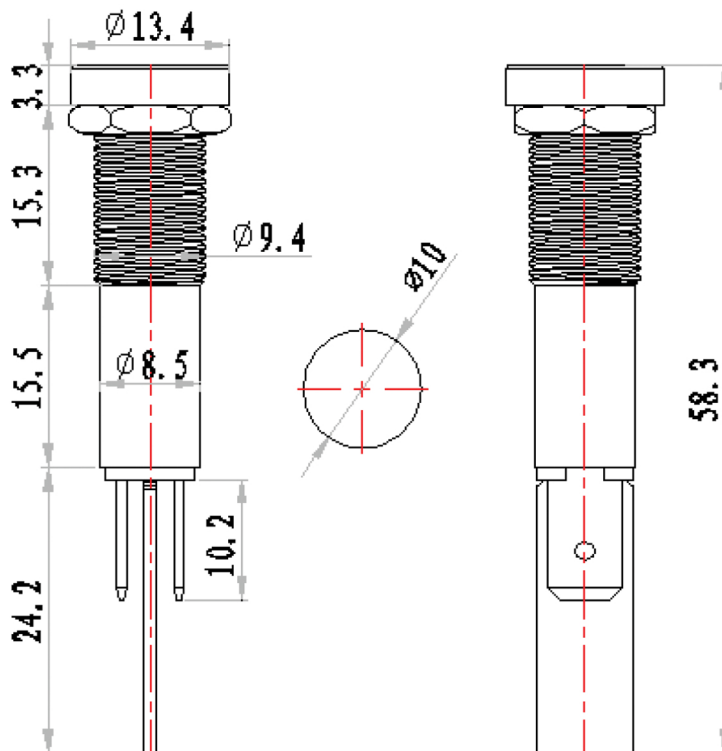


Specifications

Forward Voltage:	220VAC
Forward Current:	20mA
Life Expectancy:	100,000 Hours
Shell Material:	ABS
Operating Temperature:	-25°C to +85°C



Description	Ref Code
Green 10mm Panel Indicator 220V	480146