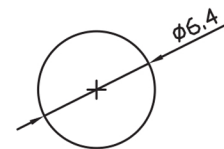
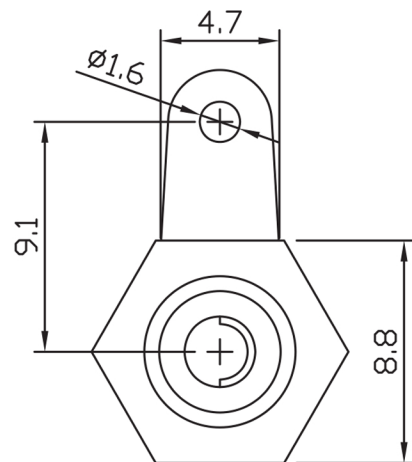
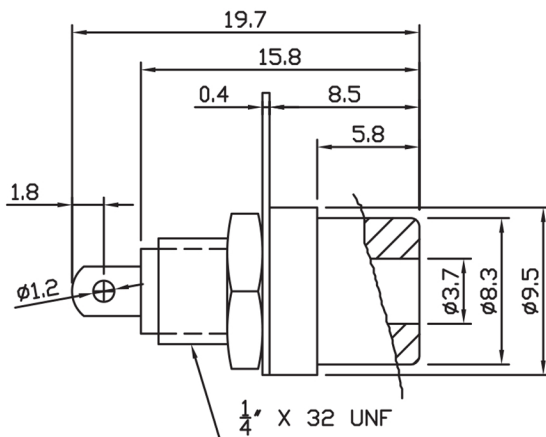


Specifications

| | |
|------------------------|---------------------|
| Contact Resistance: | 30mΩ Max |
| Insulation Resistance: | 50MΩ Min 500V DC |
| Withstand Voltage: | 500VAC 1 minute |
| Housing Material: | Nickel Plated Brass |
| Contact Material: | Nickel Plated Brass |
| Operating Temperature: | -25°C to +85°C |



PANEL CUTOUT

| Description | Ref Code |
|---|----------|
| White RCA Panel Mount Socket Nickel Plated | 369020 |