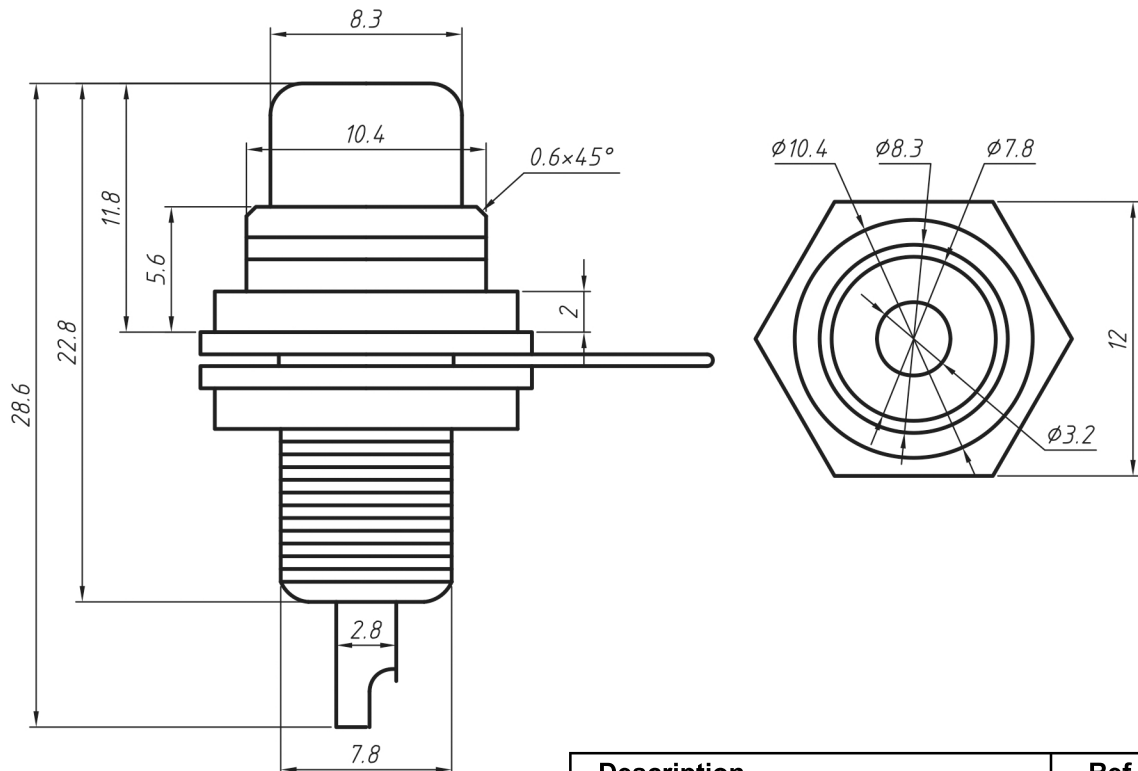


Specifications

Contact Resistance:	30mΩ Max
Insulation Resistance:	50MΩ Min 500V DC
Withstand Voltage:	500VAC 1 minute
Housing Material:	Gold Plated Brass
Contact Material:	Gold Plated Brass
Operating Temperature:	-25°C to +85°C



Description	Ref Code
Red Gold Plated RCA Phono Socket	369015