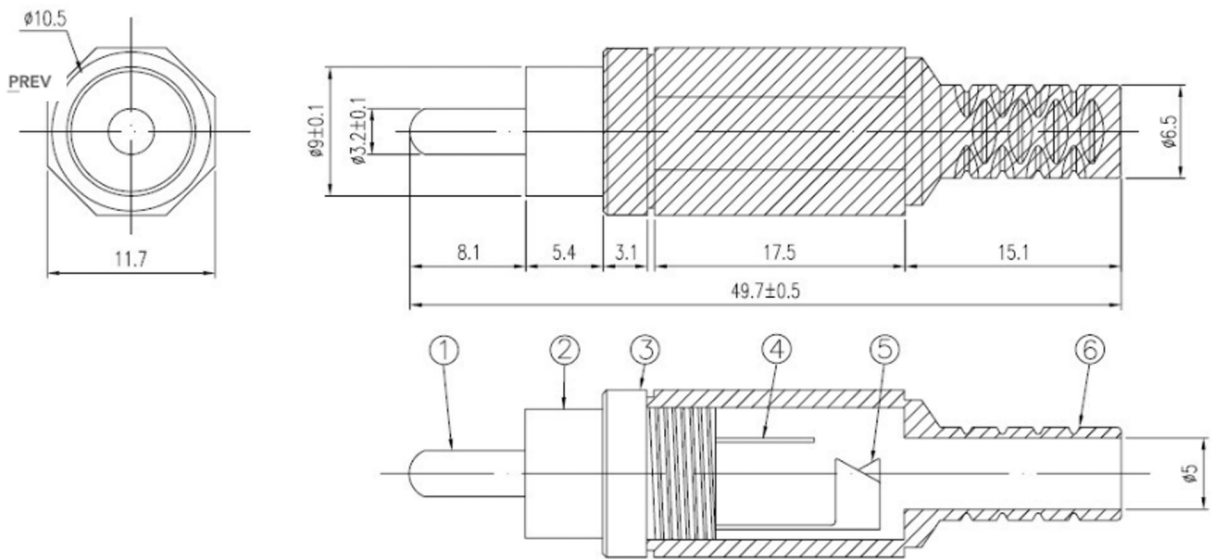


## Specifications

Housing Material:	Thermoplastic
Contact Material:	Nickel Plated Brass
Operating Temperature:	-20°C to +85°C



Description	Ref Code
Black RCA Phono Plug	369013