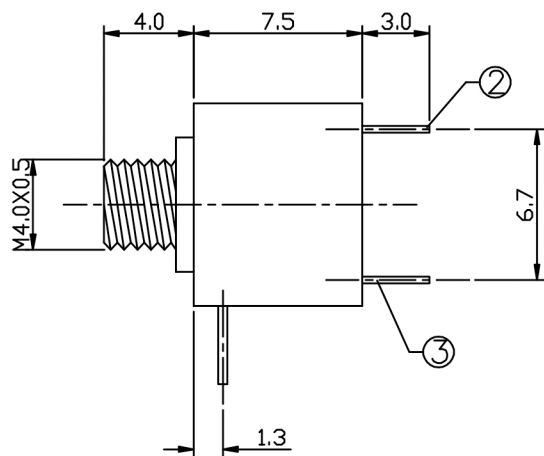
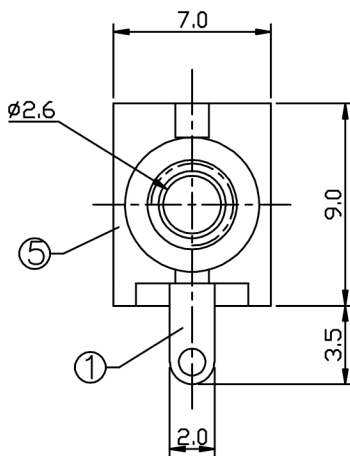
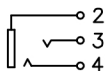


Specifications

Contact Rating:	0.5A 30VDC
Contact Resistance:	30mΩ Max
Insulation Resistance:	100MΩ Min 500V DC
Withstand Voltage:	500VAC 1 minute
Housing Material:	ABS
Contact Material:	Tin plated brass
Operating Temperature:	-30°C to +70°C



SCHEMATIC



Description	Ref Code
2.5mm Mono Miniature Jack Socket	369009