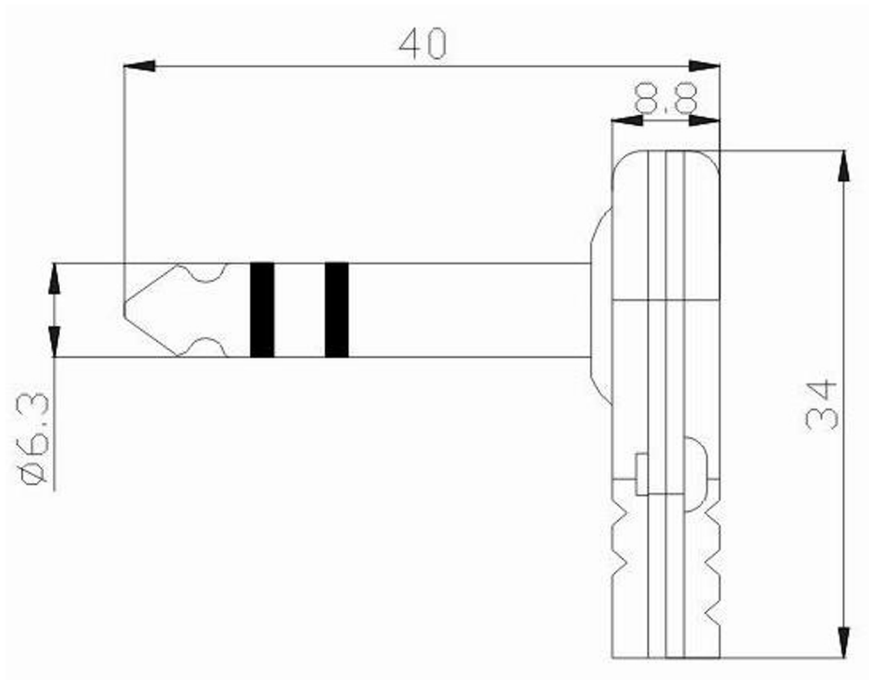


Specifications

Contact Resistance:	30mΩ Max
Insulation Resistance:	100MΩ Min 500V DC
Withstand Voltage:	500VAC 1 minute
Housing Material:	Zinc Alloy
Contact Material:	Nickel Plated Copper
Operating Temperature:	-30°C to +70°C



Description	Ref Code
6.35mm Right Angle Stereo Jack Plug 3-Pole	369005