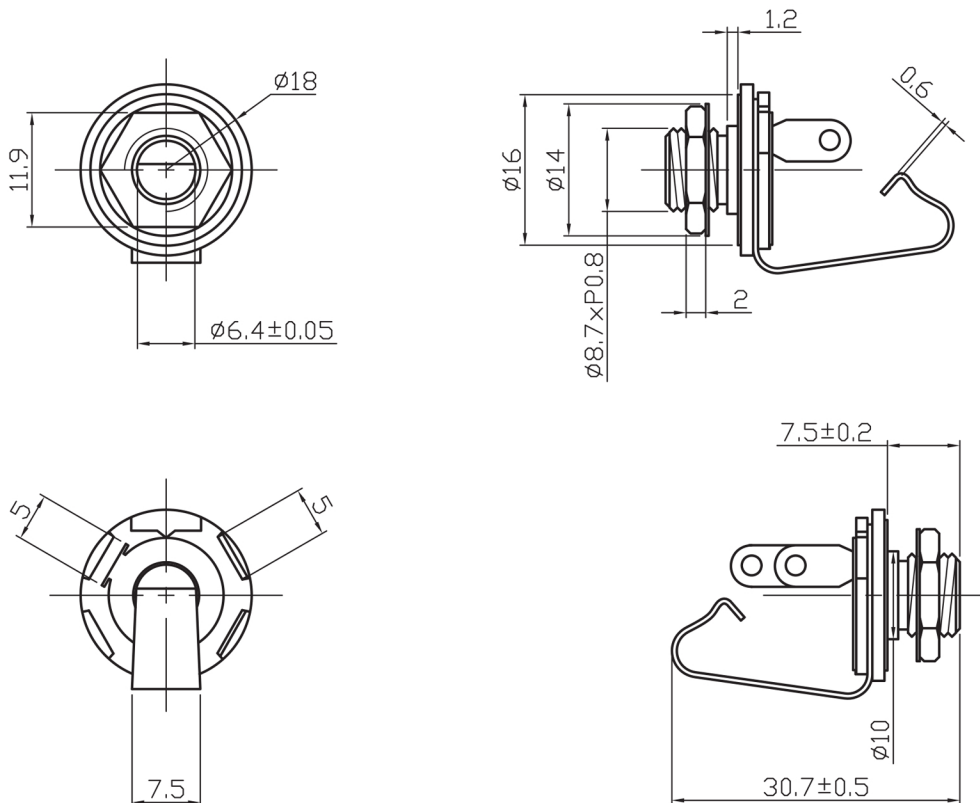


Specifications

Rating:	1A 30VDC
Contact Resistance:	30mΩ Max
Insulation Resistance:	100MΩ Min 500V DC
Withstand Voltage:	500VAC 1 minute
Operating Temperature:	-30°C to +70°C



Description	Ref Code
6.35mm Panel Mount Mono Open Chassis Jack Socket	369000