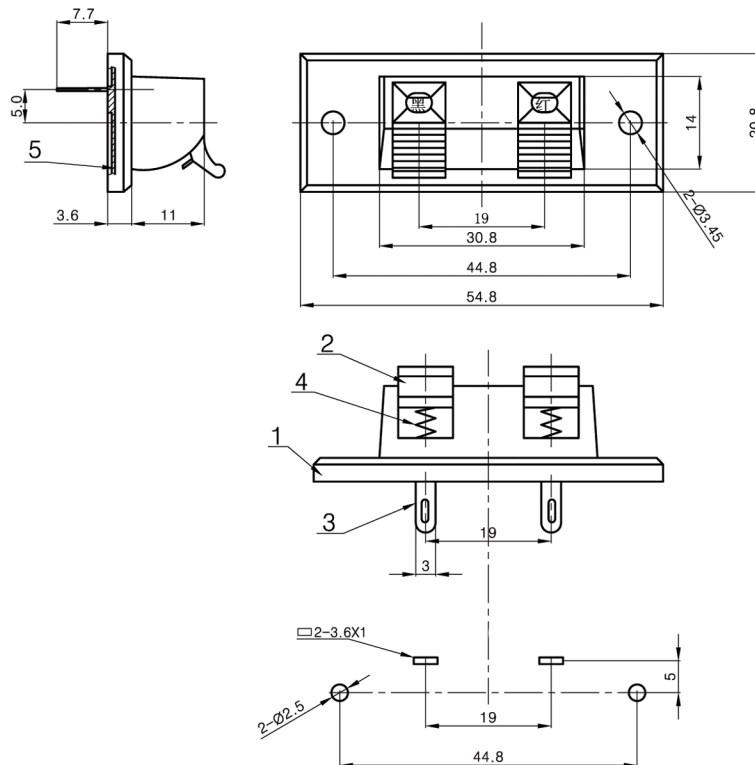


## Specifications

Contact Resistance:	30mΩ Max
Insulation Resistance:	100MΩ Min
Withstand Voltage:	500VAC 1 minute
Housing Material:	ABS
Contact Material:	Tin Plated Copper
Operating Temperature:	-25°C to +70°C



Description	Ref Code
2-Way Chassis Speaker Terminal	356100