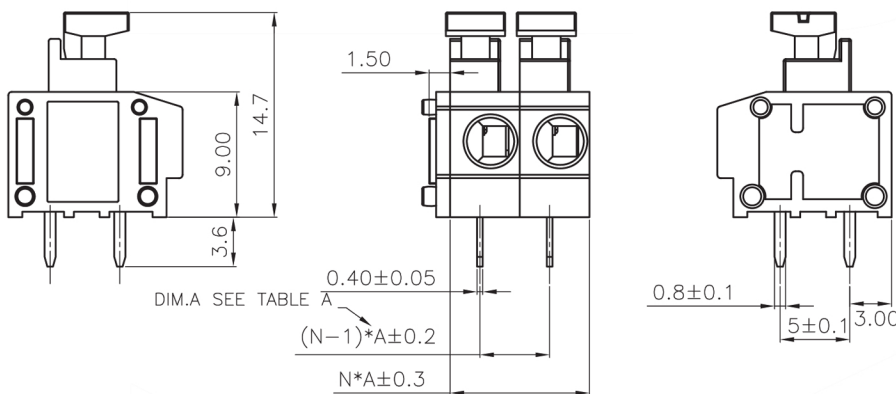
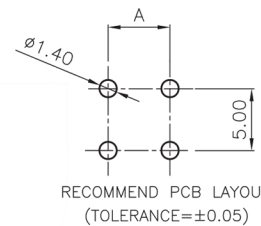


## Specifications

Rating:	5A 250V
Contact Resistance:	20mΩ Max
Insulation Resistance:	5000MΩ Min
Dielectric Strength:	1500VAC 1 minute
Housing Material:	PA66
Contact Material:	Tin Plated Phosphor Bronze
Wire Range:	14-20AWG
Operating Temperature:	-40°C to +105°C



TYPE	Dimension A
1	3.81
2	5.00
3	7.50
4	10.00

Description	Ref Code
3-Way Screwless 5.00mm Terminal Block	356093