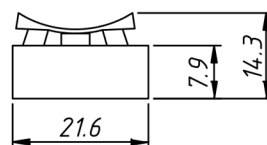
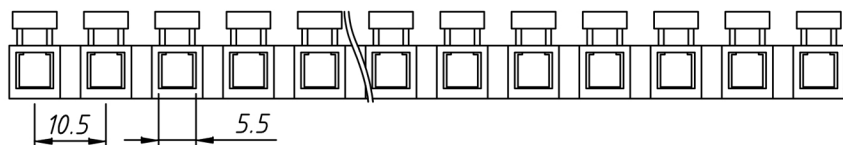
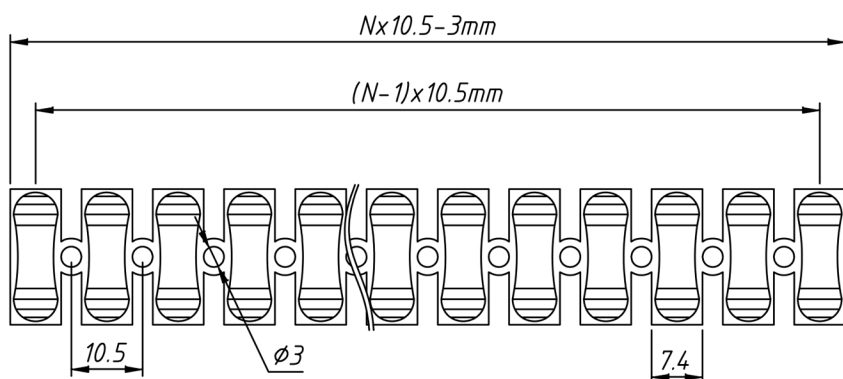


Specifications

Rated Voltage:	250V
Rated Current:	10A
Wire Range:	0.5-2.5mm ²
Housing Material:	PA66 UL94V-0
Contact Material:	Stainless Steel, Nickel Plated
Strip Length:	7mm
Operating Temperature:	+105°C Maximum



Description	Ref Code
3-Way Screwless Spring Wire Connector	356082