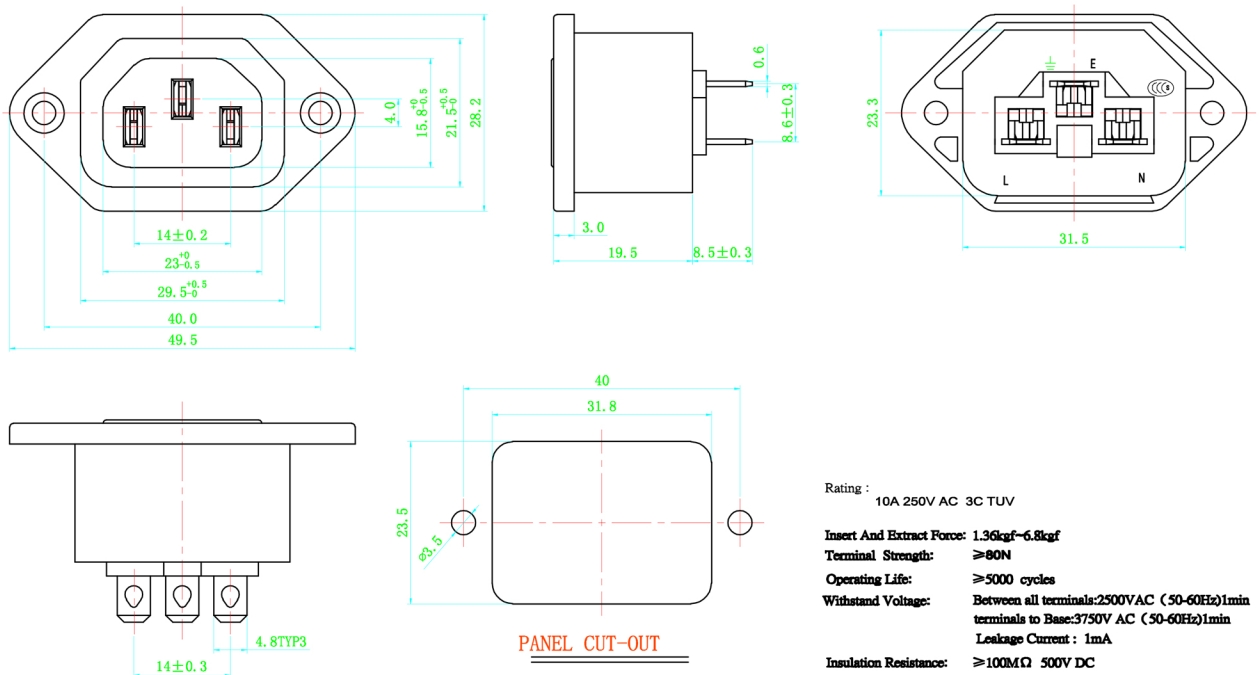


Specifications

| | |
|------------------------|---------------------|
| Rating: | 10A 250VAC |
| Contact Resistance: | 30mΩ |
| Insulation Resistance: | 100MΩ Min |
| Dielectric Strength: | 2000VAC 1 minute |
| Contact Material: | Nickel Plated Brass |
| Housing Material: | PBT |
| Operating Temperature: | -40°C to +105°C |



| Description | Ref Code |
|------------------------|----------|
| C13 IEC Chassis Outlet | 356071 |