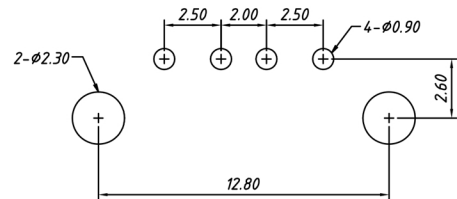
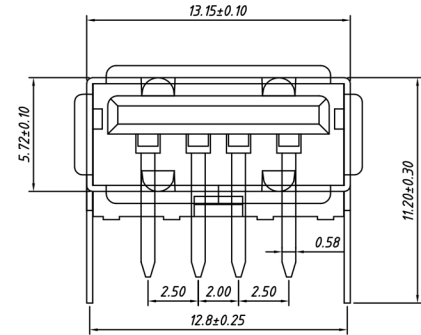
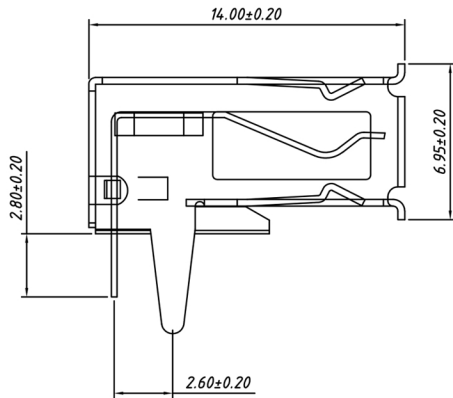
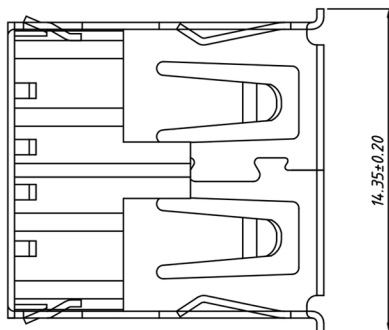


Specifications

Rating:	1.5A 30VDC
Housing Material:	Thermoplastic
Shell Material:	Copper Alloy
Contact Material:	Copper Alloy
Contact Resistance:	30mΩ Max
Insulation Resistance:	1000MΩ Min
Dielectric Strength:	500VAC 1 Min



RECOMMENDED PCB LAYOUT
TOLERANCE: ±0.05



Description	Ref Code
USB Type A Right Angle Socket	356035