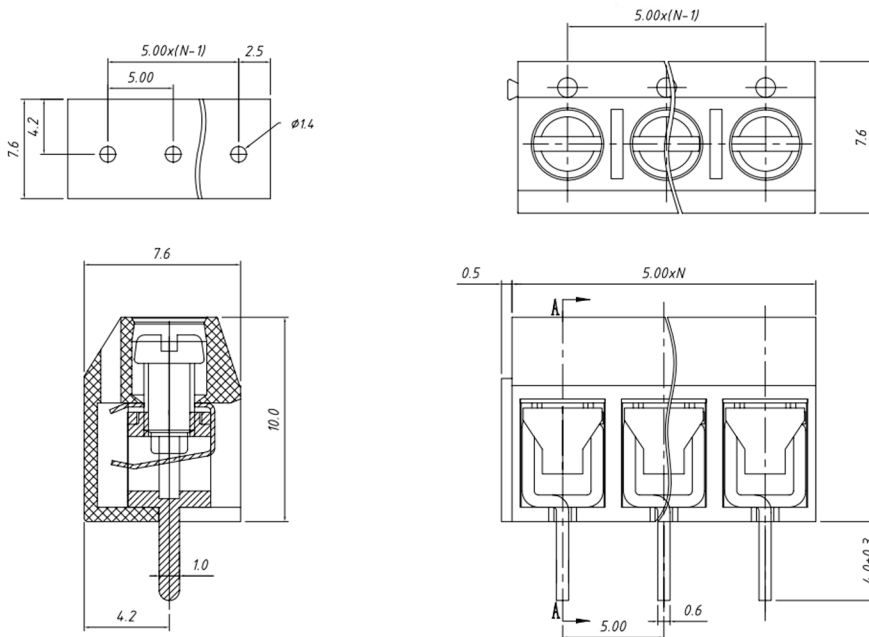


Specifications

Rated Voltage:	250V
Rated Current:	10A
Wire Range:	22-14AWG
Housing Material:	PBT UL94V-0
Contact Material	Tin Plated Brass
Contact Resistance:	20mΩ Max
Insulation Resistance:	500MΩ Min 500V DC
Withstand Voltage:	2000VAC 1 minute
Operating Temperature:	-40°C to +105°C



Description	Ref Code
2-Way PCB Terminal Block 10A	329069