

Specifications

Rating:	15A 300V
Contact Resistance:	20mΩ Max
Insulation Resistance:	5000MΩ Min
Dielectric Strength:	1500VAC 1 minute
Housing Material:	PA66
Contact Material:	Tin Plated Brass
Operating Temperature:	-40°C to +105°C

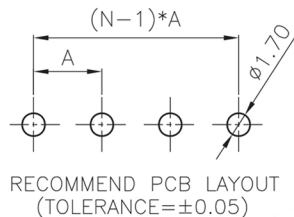
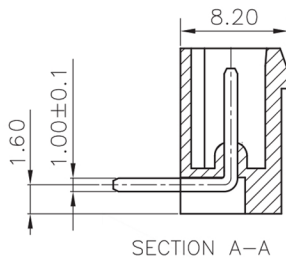
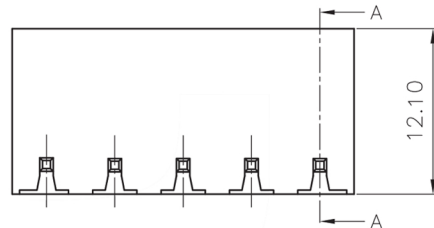
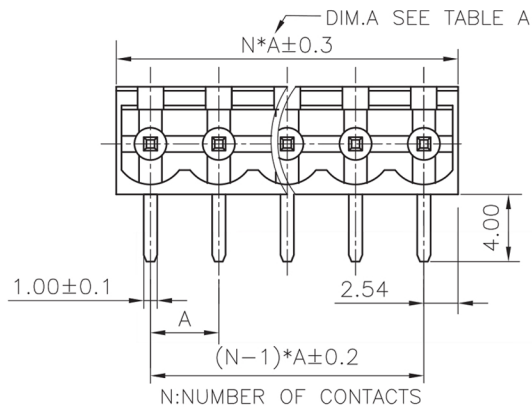


TABLE A

TYPE	Dimension
	A
1	5.00
2	5.08
3	7.50
4	7.62

Description	Ref Code
2-Way Plug-In PCB Horizontal Closed Header 5.08mm	329056