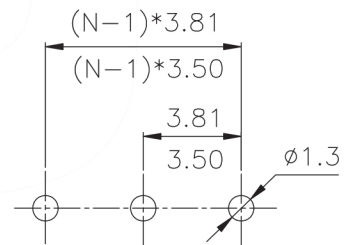
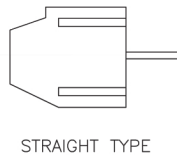
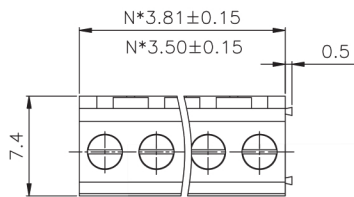
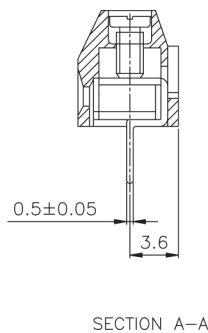
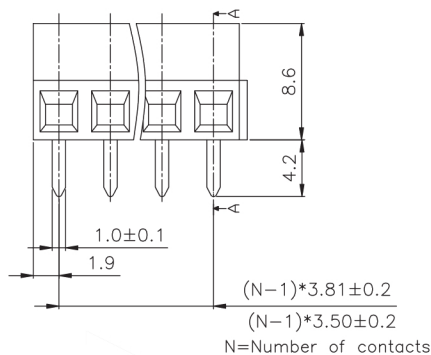


Specifications

Rating:	10A 300V
Contact Resistance:	20mΩ Max
Insulation Resistance:	50MΩ Min
Dielectric Strength:	2000VAC 1 minute
Housing Material:	PA66
Contact Material:	Nickel Plated Brass
Wire Range:	14-30AWG
Operating Temperature:	-40°C to +105°C



RECOMMEND PCB LAYOUT
(TOLERANCE=±0.05)



SECTION A-A

Description	Ref Code
3-Way 3.81mm Terminal Block 10A	329047