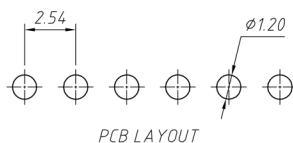
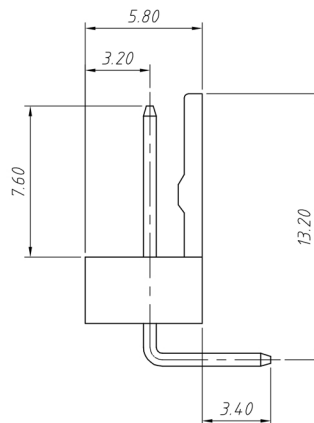
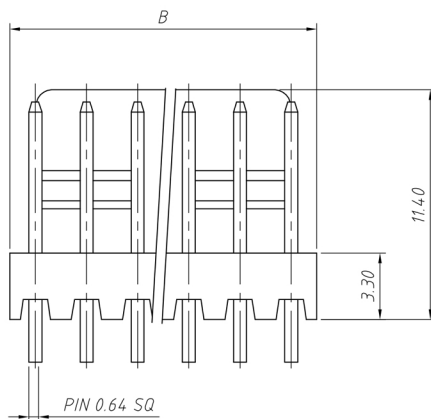
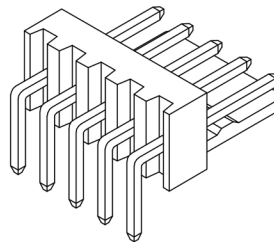
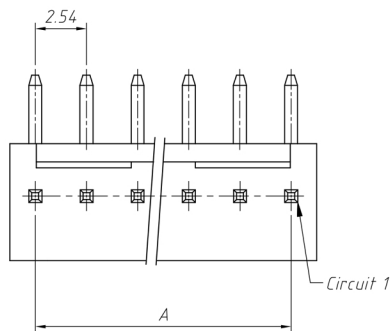


## Specifications

Housing Material:	PA66 UL94V-0
Contact Resistance:	30mΩ Max
Insulation Resistance:	1000MΩ Min
Dielectric Strength:	1000VAC 1 Min
Wire Range:	22-28AWG
Operating Temperature:	-25°C to +85°C



Pin	Dimensions(mm)	
	A	B
02	2.54	5.08
03	5.08	7.62
04	7.62	10.16
05	10.16	12.70
06	12.70	15.24
07	15.24	17.78
08	17.78	20.32
09	20.32	22.86
10	22.86	25.40
11	25.40	27.94
12	27.94	30.48
13	30.48	32.02
14	32.02	35.56
15	35.56	38.10
16	38.10	40.64
17	40.64	43.18
18	43.18	45.72
19	45.72	48.26
20	48.26	50.80