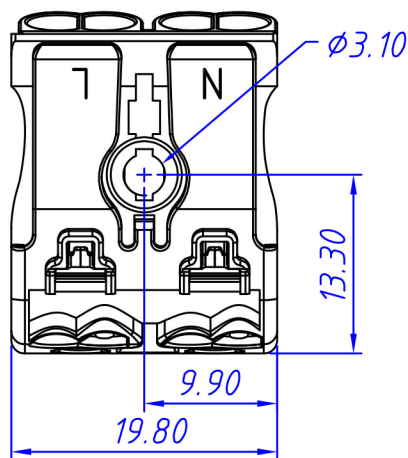
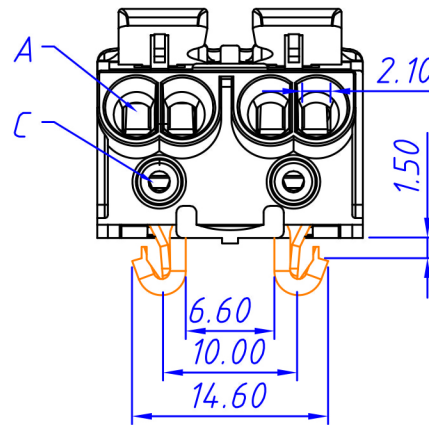
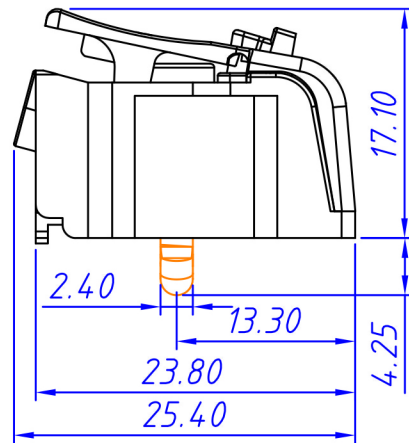
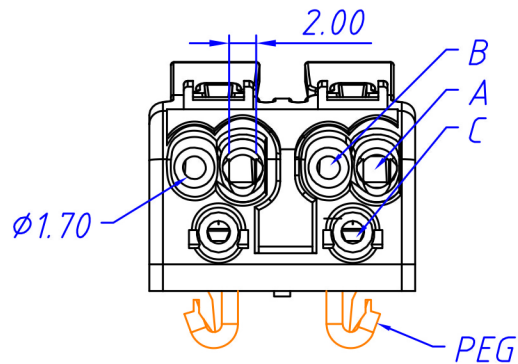


Electrical :
Rated Voltage: 450V(IEC/EN)/300V(UL)
Rated Current: 16A
Contact resistance: 20 mΩ
Insulation resistance: 5000MΩ/DC1000V
Withstanding voltage : AC2500V/1 min
Cross Section:
 Solid conductor & Stranded conductor
 A holes: 0.5-2.5mm²/14-20AWG
 B holes: 0.5-1.5mm²/16-20AWG
 C holes: 0.5-2.5mm²/14-20AWG

Materials
Insulation Materials: PA 66,WHITE,UL94V-2
Contact: Copper,Nickel Plated
Wire guard : Stainless steel

Number of poles: 2 poles
Strip length : 8-10mm
Operating Temperature: -40°C~+105°C



GENERAL TOLERANCE		ANGLE TOLERANCE	PROJECTION	Description:
X. ±0.60	±2°	UNITS	mm	PUSH wire Connector
.X ±0.38		SHEET SIZE	A4	
.XX ±0.25				
Draw: Daniel	2018-08-27			
Check: Daniel	2018-08-27			
SCALE		SHEET		