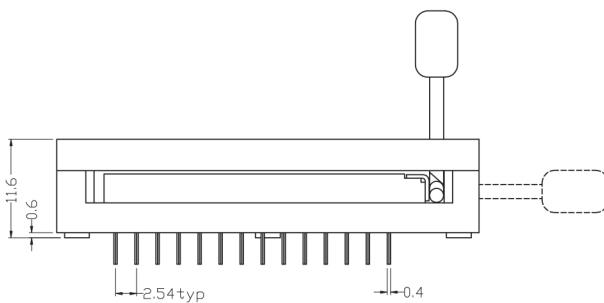
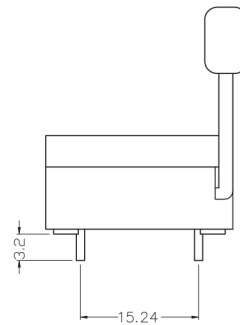
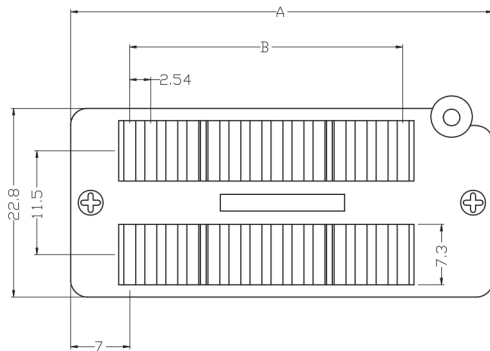


## Specifications

Rating:	100mA 50VDC
Housing Material:	Thermoplastic UL94V-0
Shell Material:	Steel
Contact Material:	Gold Plated Copper
Contact Resistance:	50mΩ Max
Insulation Resistance:	100MΩ Min
Dielectric Strength:	500VAC 1 Min
Operating Temperature:	-40°C to +105°C



Dimension

Position	A	B
24	45.1	27.94
28	50.2	33.02
32	55.3	38.10
40	65.5	48.26
48	75.6	58.42

Description	Ref Code
28 Pin ZIF IC DIP Socket 2.54mm	222010