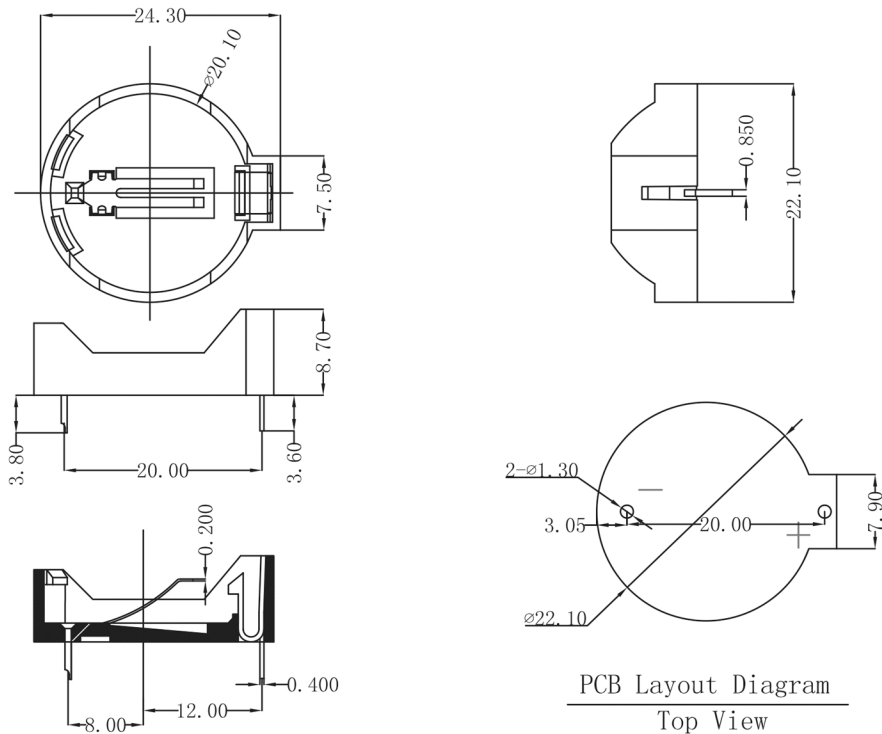


## Specifications

Housing Material:	PBT
Contact Material:	Brass
Contact Resistance:	30mΩ Max
Insulation Resistance:	1000MΩ Min 500V DC
Dielectric Strength:	500VAC 1 minute
Operating Temperature:	-25°C to +85°C

:



Description	Ref Code
CR2032 Coin Cell Battery Holder	220014