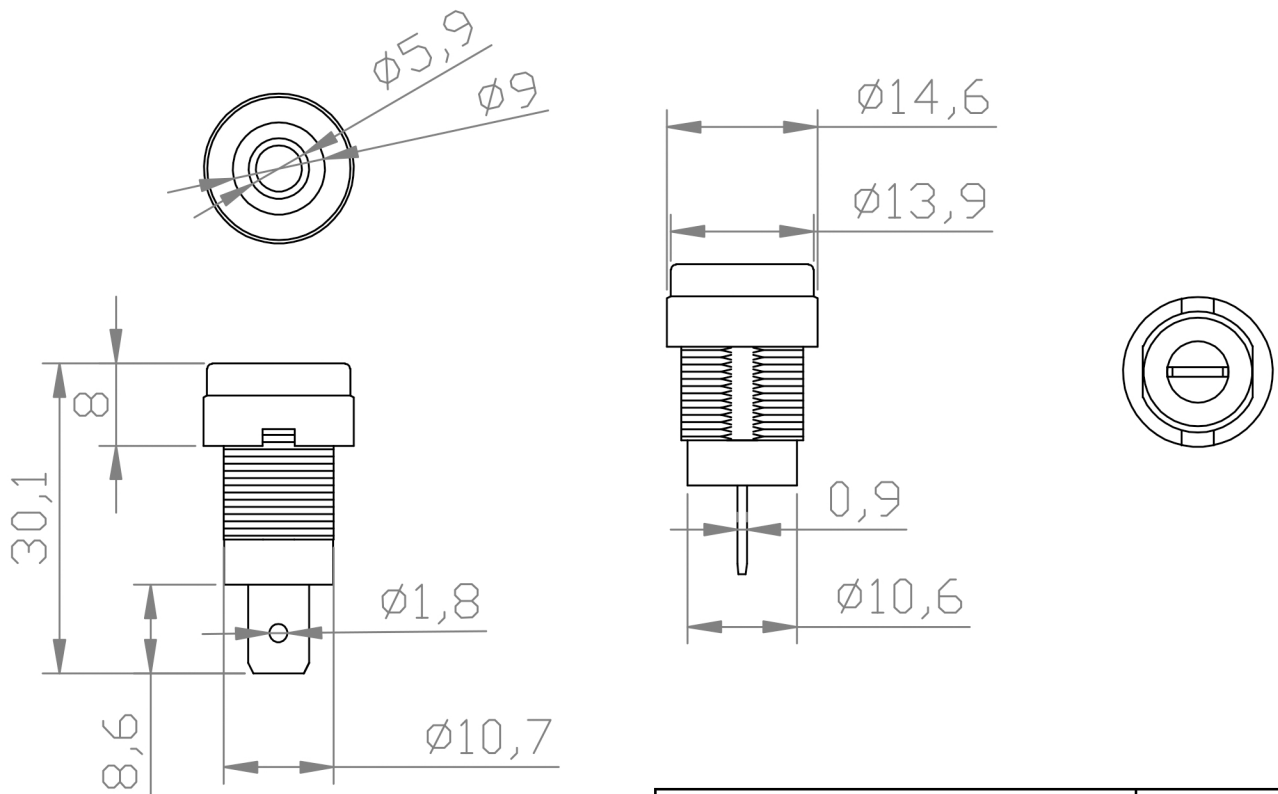


Specifications

Voltage Rating:	30VAC, 60VDC
Current Rating:	36A
Contact Resistance:	50mΩ Max
Housing Material:	ABS
Contact Material:	Nickel Plated Copper
Operating Temperature:	-30°C to +70°C



Description	Ref Code
4mm Red Banana Test Socket	210038