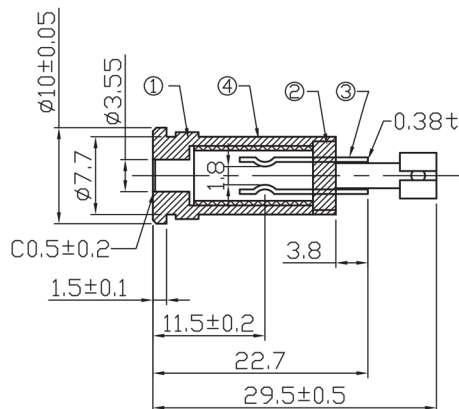
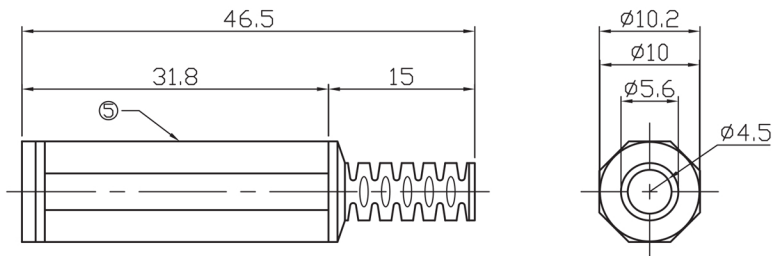


## Specifications

Rating:	1A 30VDC
Contact Resistance:	30mΩ Max
Insulation Resistance:	100MΩ Min 500V DC
Withstand Voltage:	500VAC 1 minute
Housing Material:	ABS
Contact Material:	Nickel Plated Brass
Operating Temperature:	-30°C to +70°C



Part No.	A(mm)	C(mm)	L(mm)
2.1A	2.1	5.5	31.8
2.5A	2.5	5.5	31.8
3.5A	3.5	5.5	31.8

Description	Ref Code
2.5mm x 5.5mm Female DC Power Socket Connector	210017