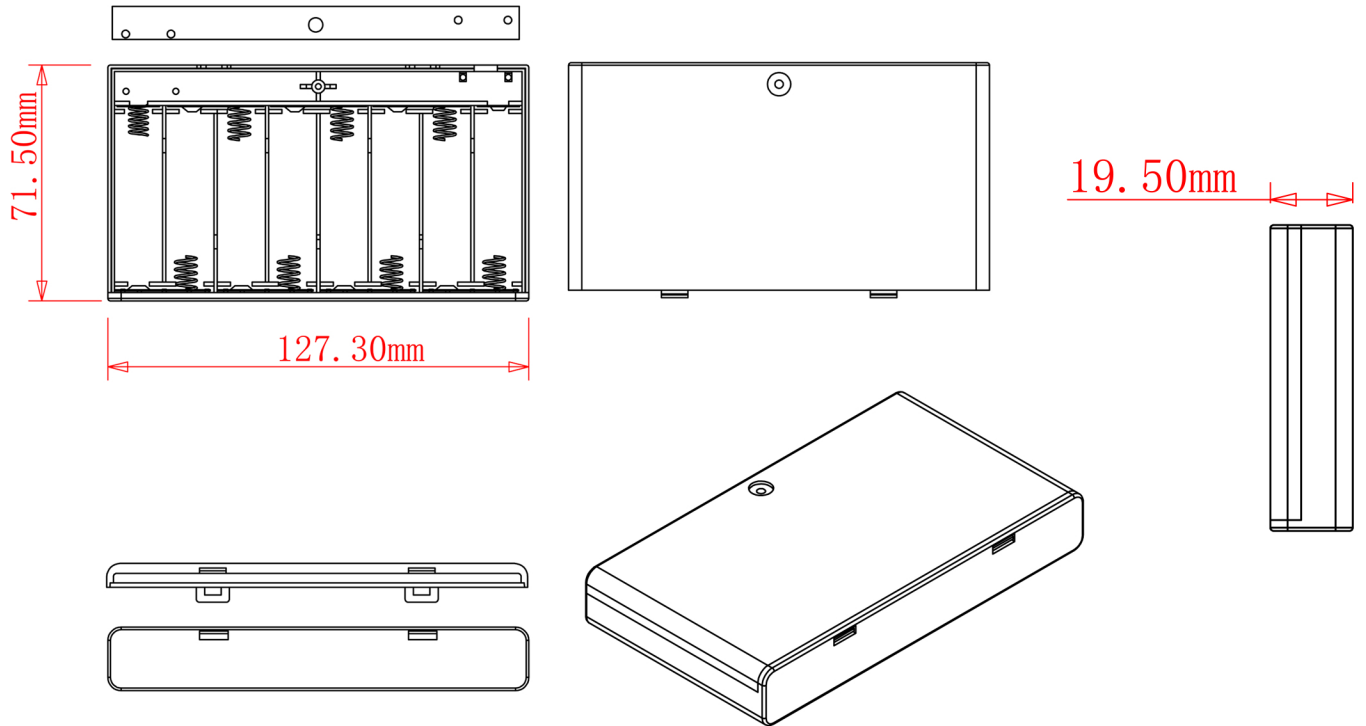


## Specifications

Housing Material: PP  
Contact Material: Nickel Plated Steel  
Operating Temperature: -10°C to +80°C

:



Description	Ref Code
AA x 8 Enclosed Battery Holder W/Switch 150mm	201107