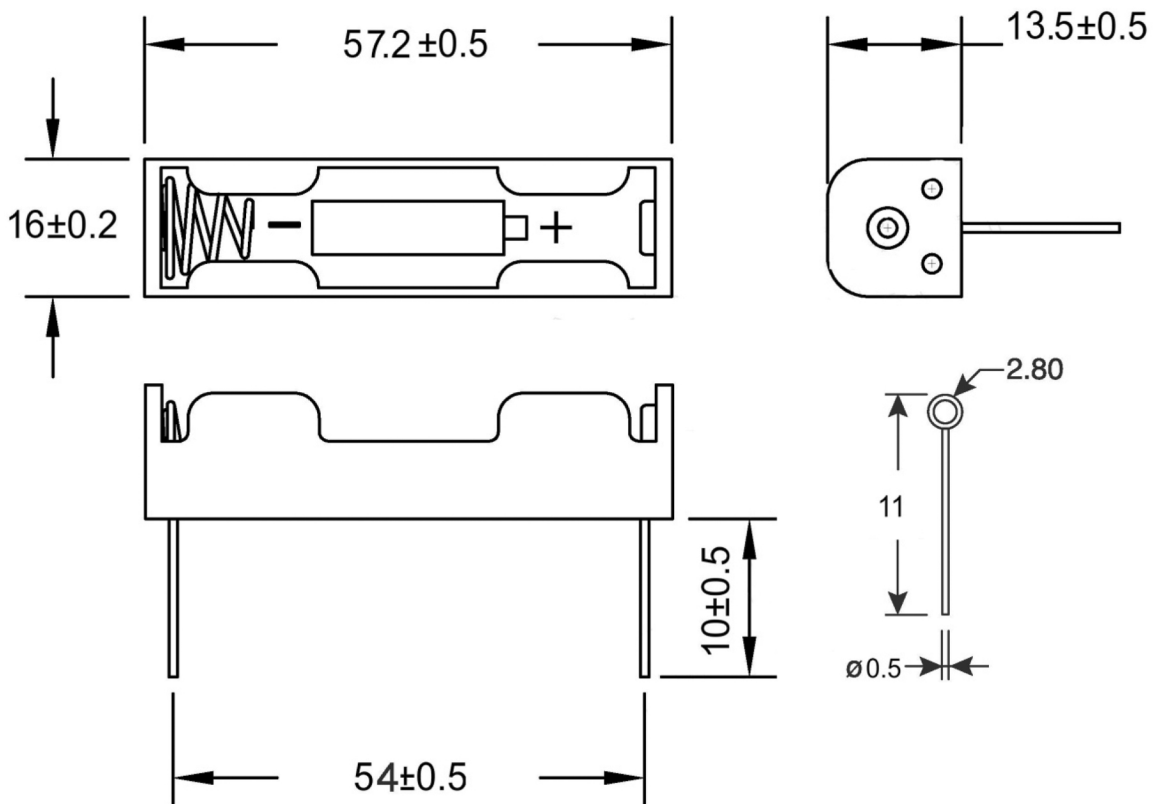


Specifications

Housing Material: ABS
Contact Material: Nickel Plated Steel
Operating Temperature: -25°C to +85°C

:



Description	Ref Code
AA x 1 Battery Holder PCB Mount	201017