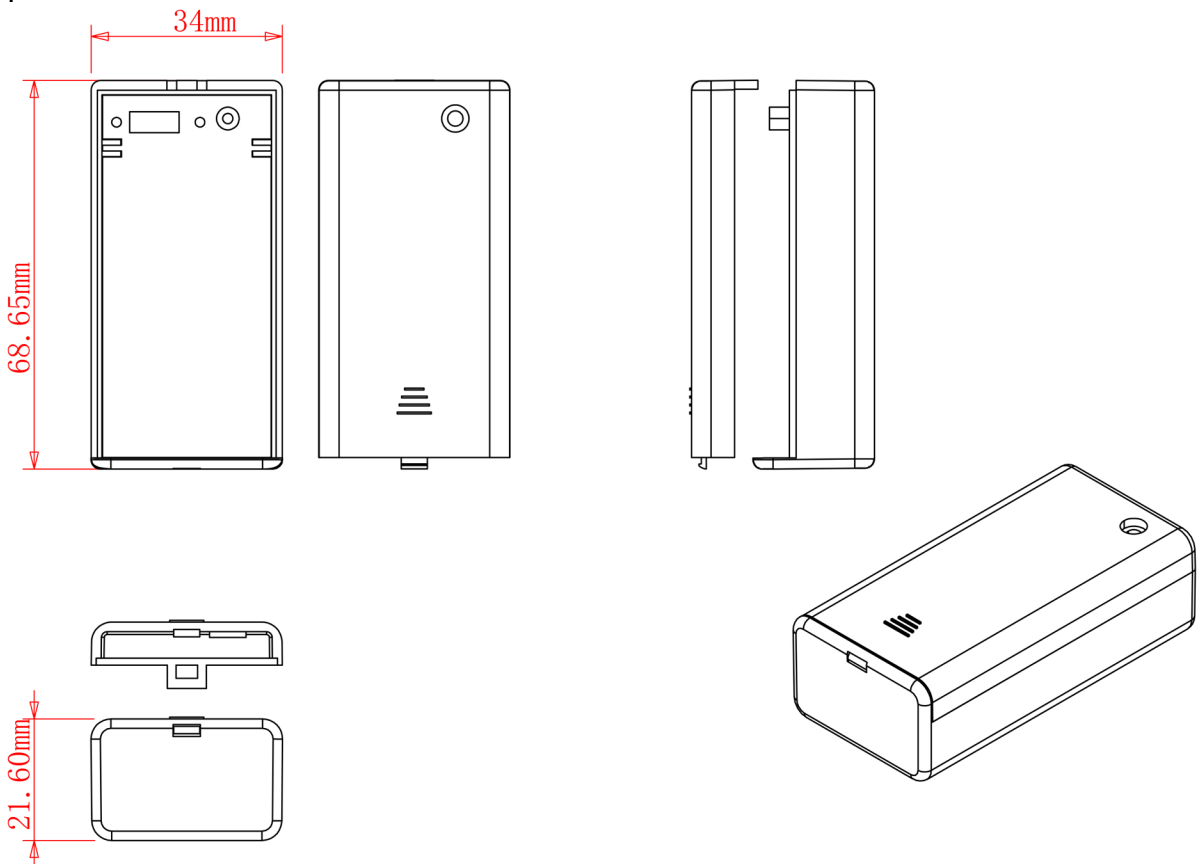


Specifications

Housing Material: ABS
Contact Material: Nickel Plated Steel
Wire: UL1007 26AWG
Operating Temperature: -10°C to +80°C



Description	Ref Code
PP3 Enclosed Battery Holder with Switch	201015