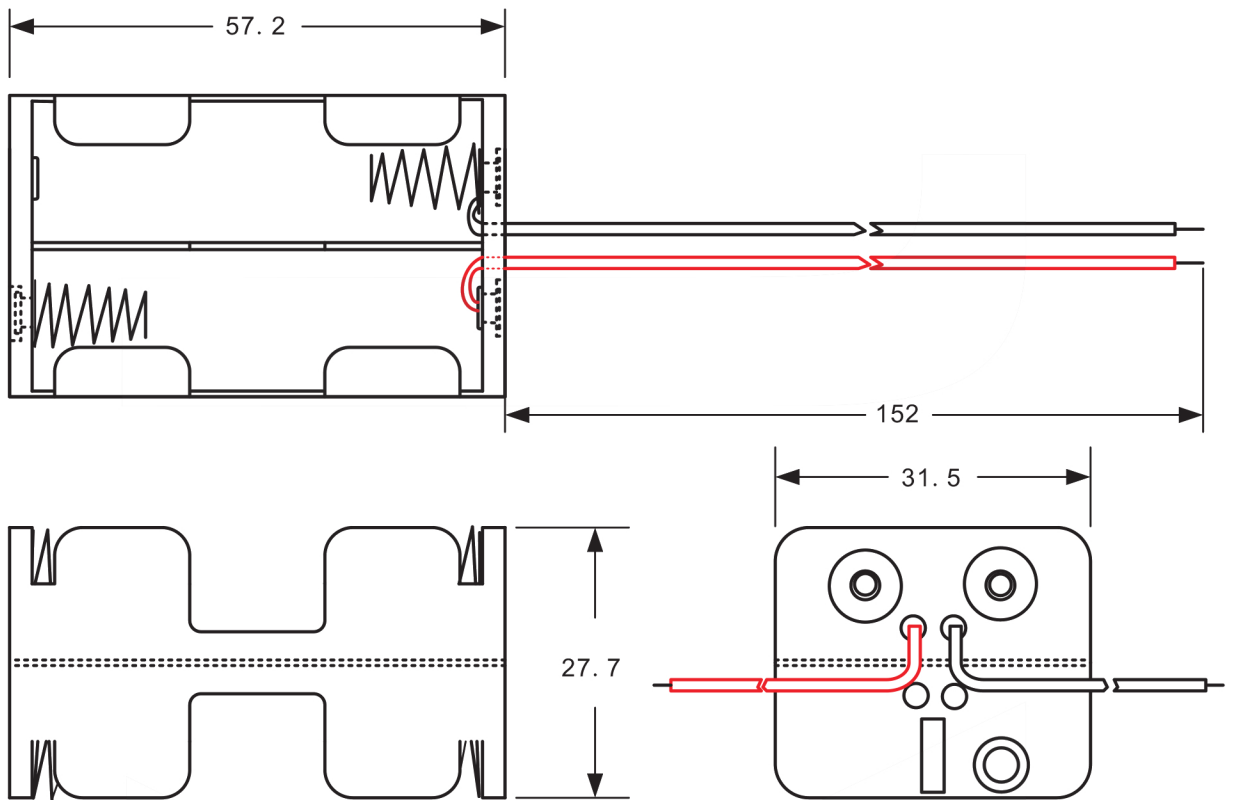


## Specifications

|                   |                       |
|-------------------|-----------------------|
| Housing Material: | ABS                   |
| Wire:             | UL1007 26AWG          |
| Spring:           | 0.6mm 65C Spring Wire |



| Description                    | Ref Code |
|--------------------------------|----------|
| AA x 4 Open Battery Holder 2+2 | 201012   |