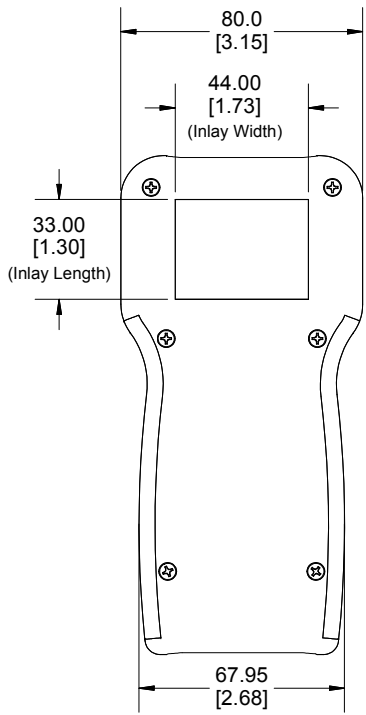
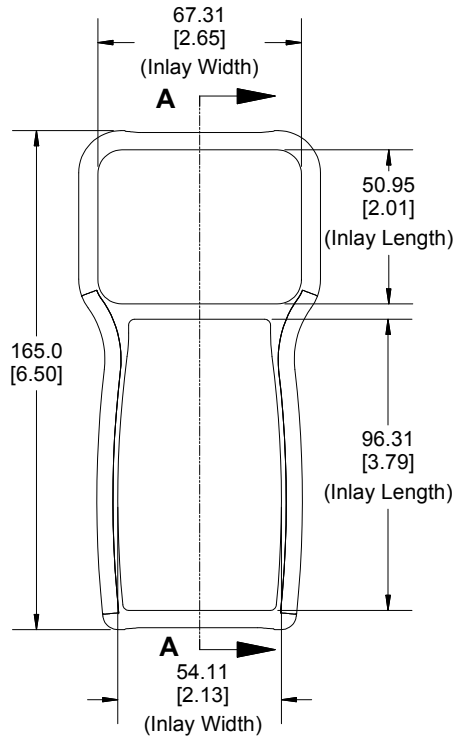


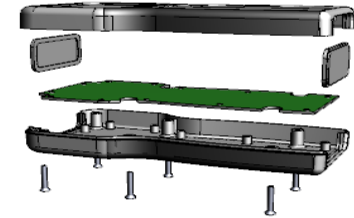
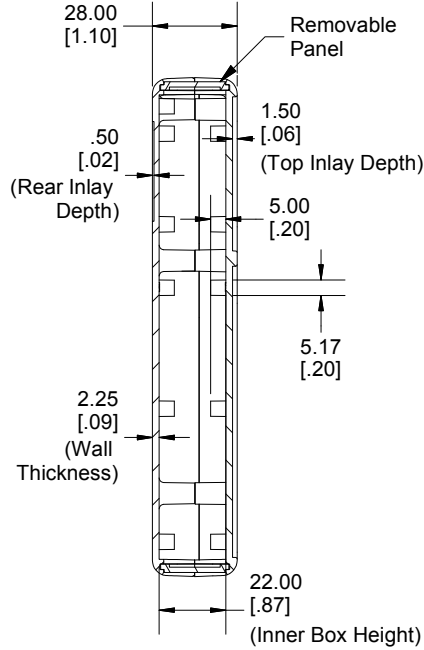
**Rear View of Assembly**



**Top View of Assembly**



**SECTION A-A  
(Side View of Assembly)**



Enclosures can be Factory Modified ( Milling, Drilling, Printing etc.)  
 Contact Factory [mjm@hammondmfg.com](mailto:mjm@hammondmfg.com) for quotes  
 Solid models of this enclosure available in STEP or IGES.  
 (Part number and text placement/orientation on our products are subject to change,  
 we do not recommend using them as a locating reference for modification purposes)

**NOTE**

Enclosure made from FR ABS (UL 94-V0) plastic.

Purchased assembly includes Top, Bottom, front and rear plastic panels and  
 6 Cover Screws. M3 Brass Inserts are Pre-Installed.

**Recommended Cover screw torque – 2.5 lbf-in (30 cN-m)**

**PART NUMBER**

1553TT Regular Enclosure

Black Enclosure/Grey Over-mold	1553TTBK
Grey Enclosure/Grey Over-mold	1553TTGY

**ACCESSORIES**

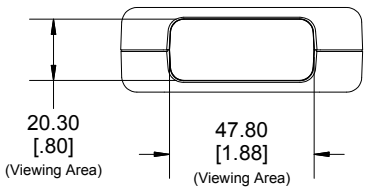
Cover screw (Pkg 100) [M3-0.5 X 18mm]	1594MS100 (silver) 1594MS100BK (Black)
P.C. Board Self Tapping Screw [#4 X 1/4" (6.4mm) Plated]	1593ATS50 (Pkg 50) 1593ATS100 (Pkg 100)
Belt or Pocket Clip	1599CLIP (Black) 1599CLIPGY (Grey)

**HAMMOND  
MANUFACTURING®**

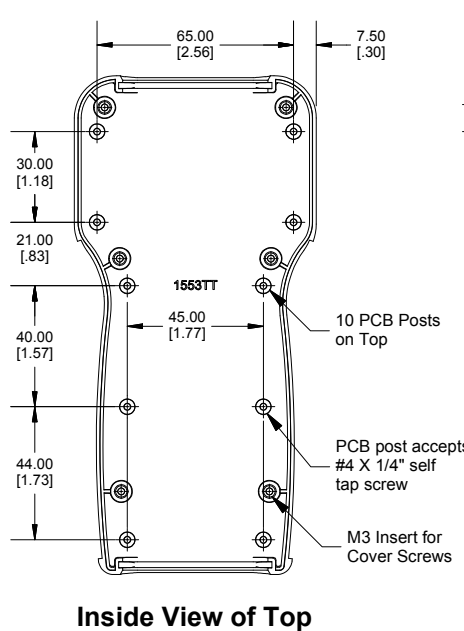
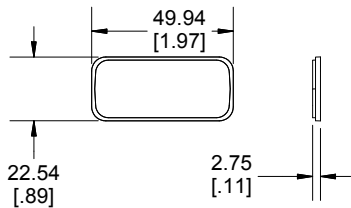
**1553TT**

[www.hammondmfg.com](http://www.hammondmfg.com)

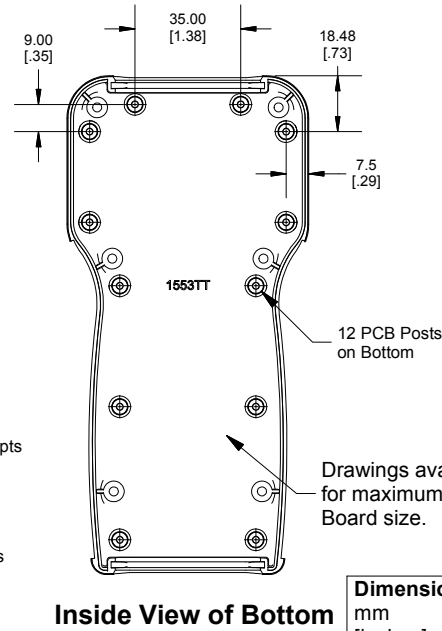
**Top End View of Assembly**



**Front/Rear Panel**



**Inside View of Top**



**Inside View of Bottom**

**Dimensions:**  
mm  
[inches]

Drawings available  
for maximum P.C  
Board size.

10 PCB Posts  
on Top

PCB post accepts  
#4 X 1/4" self  
tap screw

M3 Insert for  
Cover Screws

12 PCB Posts  
on Bottom